

75 mm TRACKBALL

RUGGED TRACKBALL FOR REAR PANEL MOUNTING

PS/2 or USB output

• GENERAL DESCRIPTION

The GK75 is a very high specification, back of panel mounted trackerball with **protocol output**. It is constructed from PPS and benefits from its **large diameter shafts** for smooth running. It is designed to be rear-panel mounted as part of OEM systems, where reliability, robustness and an extensive life span are essential. The large ball provides the perfect solution for high performance, high resolution applications.



• SPECIFICATIONS

Casing material	PPS	Resolution	265 pulses per ball revolution
Top plate material	PPS	Mounting angle	Max. 30° to horizontal plane
Ball material	Phenolic resin	Sealing	none, IP40
Ball colour	Yellow or black	Lifetime - Ball revolutions	>= 6 million
Ball diameter	76,2 mm	Storage temperature	-20°C to +80°C
Weight	650 grams	Operating temperature	0°C to +55°C
Shaft diameter	9,5 mm	Relative humidity	95% non-condensing
Tracking force	15 grams nominal	Vibration	5G, 5-2KHz any plane

• CONNECTIVITY

The **GK75-1502** is **PS/2** compatible. The **GK75-1602** can be plugged into any **USB** port or hub. Both types are supplied with 1,6m long shielded straight cables. No device driver is supplied with the unit. Please use standard available drivers in your operating system.

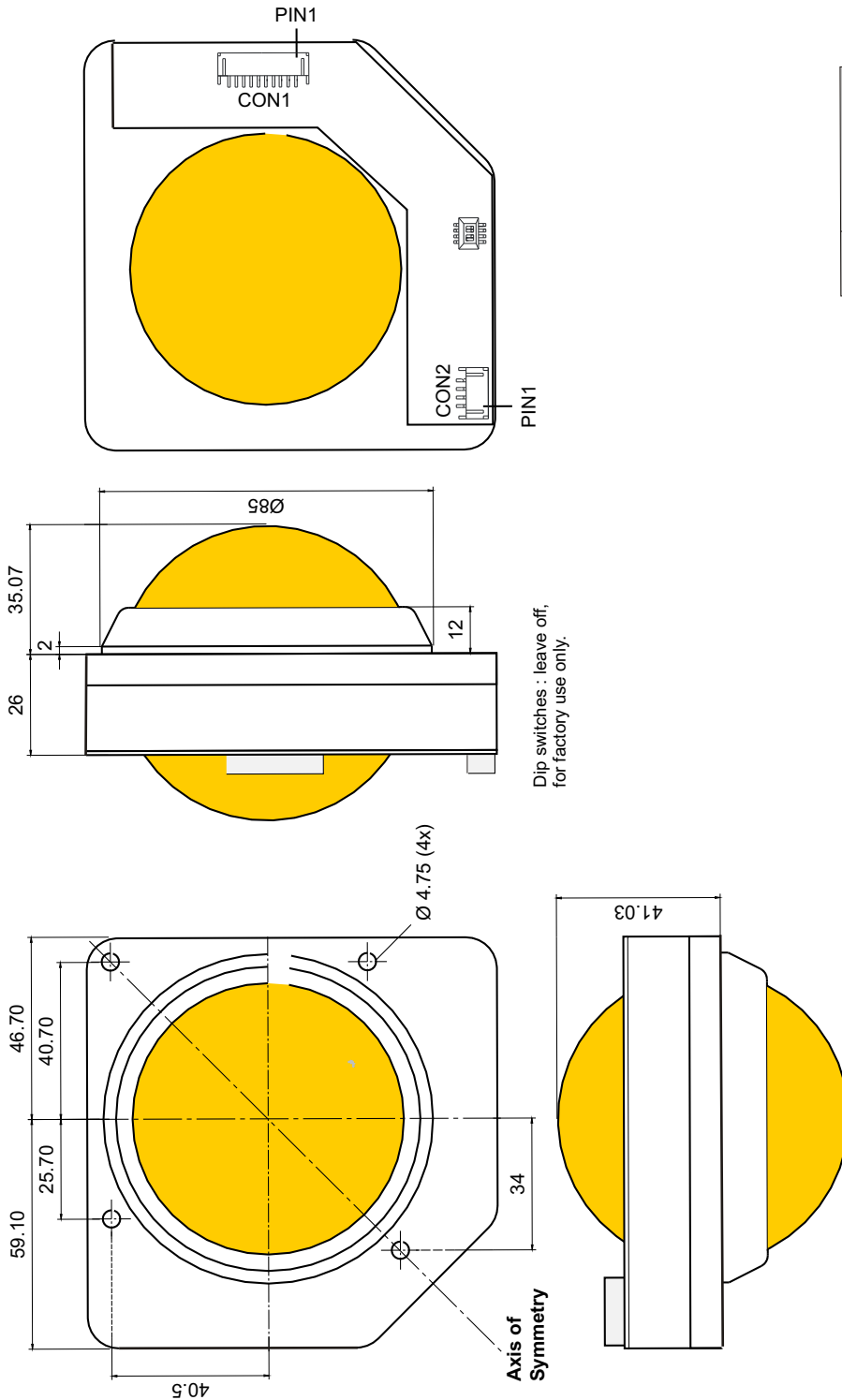
** Due to the increasing differences of the PS/2 mouse port specifications of the various PC manufacturers, we do recommend that this unit should be tested on the final PC configuration and operating system prior to installing it in series.*

• ORDERING INFO

Description	Order Number
Trackball PS/2 Output supplied with : - shielded cable 1,6 m long with 6 pin mini DIN plug to connect to CON1 - cable (4 wires) to connect up to 3 external switches to CON2	yellow ball GK75-1502
	black ball GK75-1502B
Trackball USB Output supplied with : - shielded cable 1,6 m long, USB type A connector to connect to CON1 - cable (4 wires) to connect external switches to CON2	yellow ball GK75-1602
	black ball GK75-1602B

75 mm TRACKBALL

• DIMENSIONAL DRAWING



Dip switches : leave off,
for factory use only.

Pin	Connector 1
1	Left switch
2	Middle switch
3	Right switch
4	GND (common)

Connector type CON1, CON2 : JST PH Series 2.0mm pitch.
Mating part to connector CON1, CON2: JST KR Series 2.0mm pitch.
Type numbers: 04KR-8M (CON2), 10KR-8M(CON1)

Dim in mm.



NSI bvba, Haakstraat 1A, B-3740 Bilzen, Belgium
 Tel. : ++32 (0) 89 51 90 00 Website : www.nsi-be.com
 Fax : ++32 (0) 89 51 90 09 E-mail : info@nsi-be.com

GK75-XXXX

The company reserves the right to alter without prior knowledge the specification or design of any standard product or service.