

X38 Series – 38mm Optical Trackball, Panel Mount, USB & PS/2 Output, HALO Light Feature



1. DESCRIPTION

Utilizing the latest and most advanced infrared optical tracking technology, the X38 HALO Series optical Trackerball™ is an extremely high specification, contact-less device, ideal for use in low level light environments where accurate cursor control is critical.

The trackball incorporates an illuminated ring around the ball to enable the user to locate the trackball in low light environments and offers an ideal solution for applications where a backlit ball would be too obtrusive. The HALO feature can also be used to compliment other backlit features within the user interface pane and is available in a wide range of colours.

The optical tracking engine provides accurate cursor motion at all speeds and on virtually any ball, combining the benefits of solid-state sensing (no moving parts except the ball) with the aesthetics, functionality and performance associated with the Cursor Controls product range.

The design incorporates a removable top ring as standard to allow for easy cleaning, decontamination, sterilisation and maintenance - ensuring continued optimum performance and operation under the harshest of conditions.

The X38 HALO series trackballs are available with a variety of electrical outputs, tracking force options, and sealing capabilities up to IP68.

The trackball has been designed to be back of panel mounted as part of OEM keyboards and consoles.

2. FEATURES

- Solid state sensing technology – infrared optical tracking engine (Generation II)
- HALO light feature – various colours available
- Sealing up to IP68
- Outputs: USB & PS2 (auto-select)
- Smooth operation in rugged environments
- Various top plate configurations
- Custom connector options available
- Various ball colours available
- VX3™ – integrated zoom feature for scroll wheel functionality

3. APPLICATIONS

- Medical systems
- Sound and lighting consoles
- Video editing consoles
- Marine systems
- Custom keyboard applications
- Industrial consoles
- OEM custom solutions available

4. HALO LIGHT FEATURE

The X38 HALO Series trackball provides all the features of the standard X38 trackball module with the inclusion of an illuminated ring surrounding the ball. The light ring provides an excellent means of locating the trackball in low level light environments and also serves as an aesthetic feature to compliment other illuminated components incorporated within a user interface panel. Figures 1 and 2 below show the HALO feature in its powered and non-powered state.

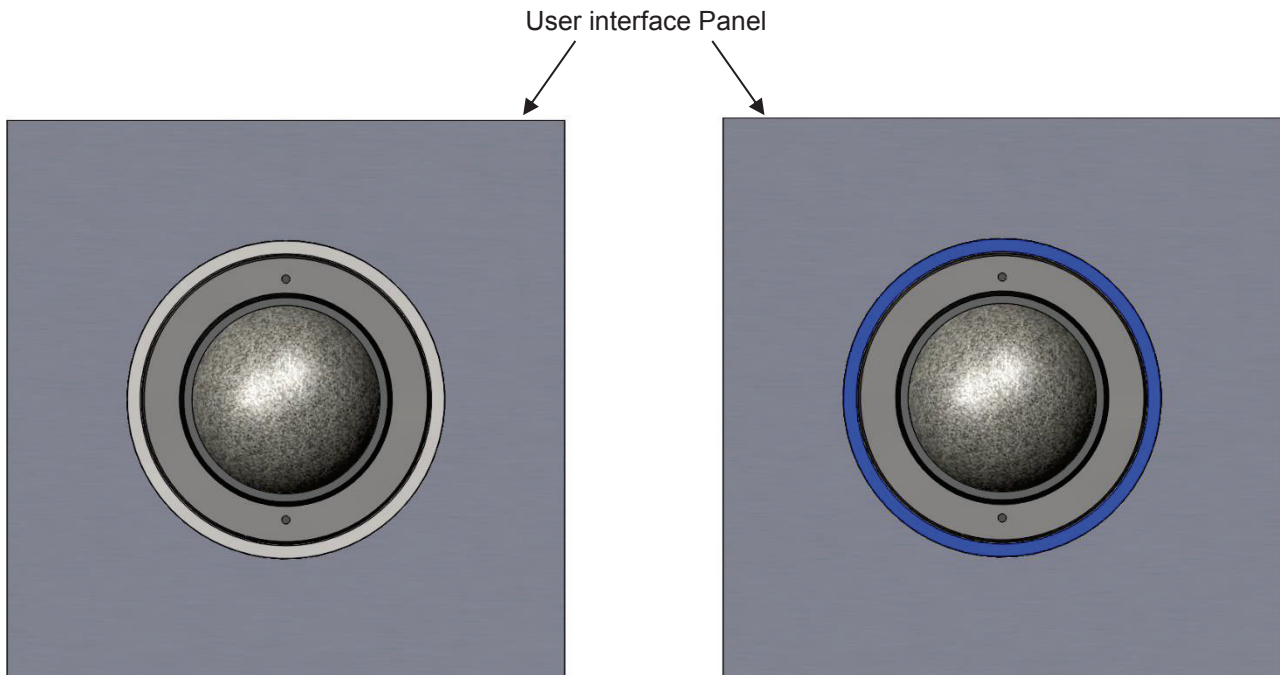
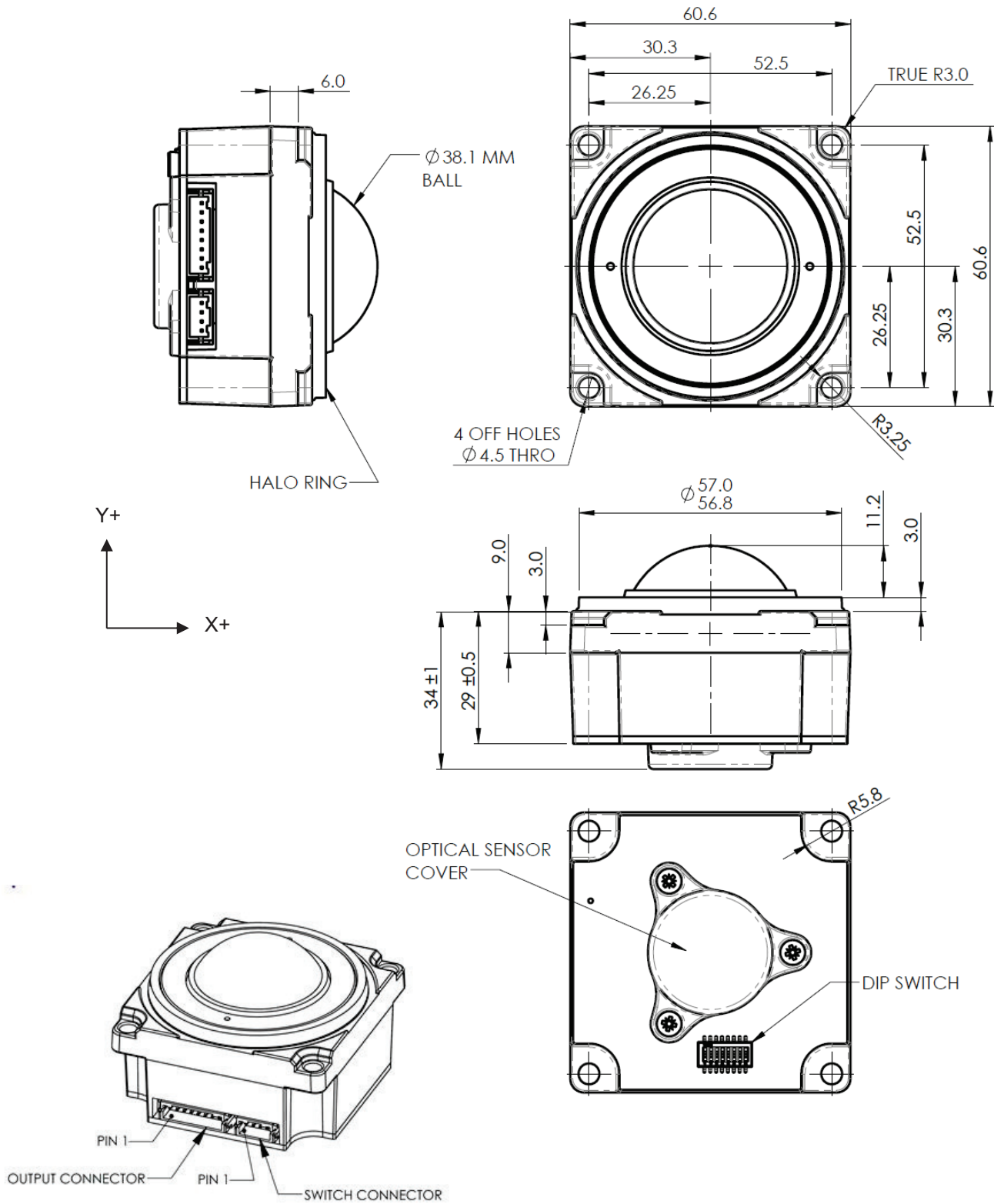


Fig.1 Trackball light ring – not-illuminated

Fig.2 Trackball light ring – illuminated

8. DIMENSION DRAWING



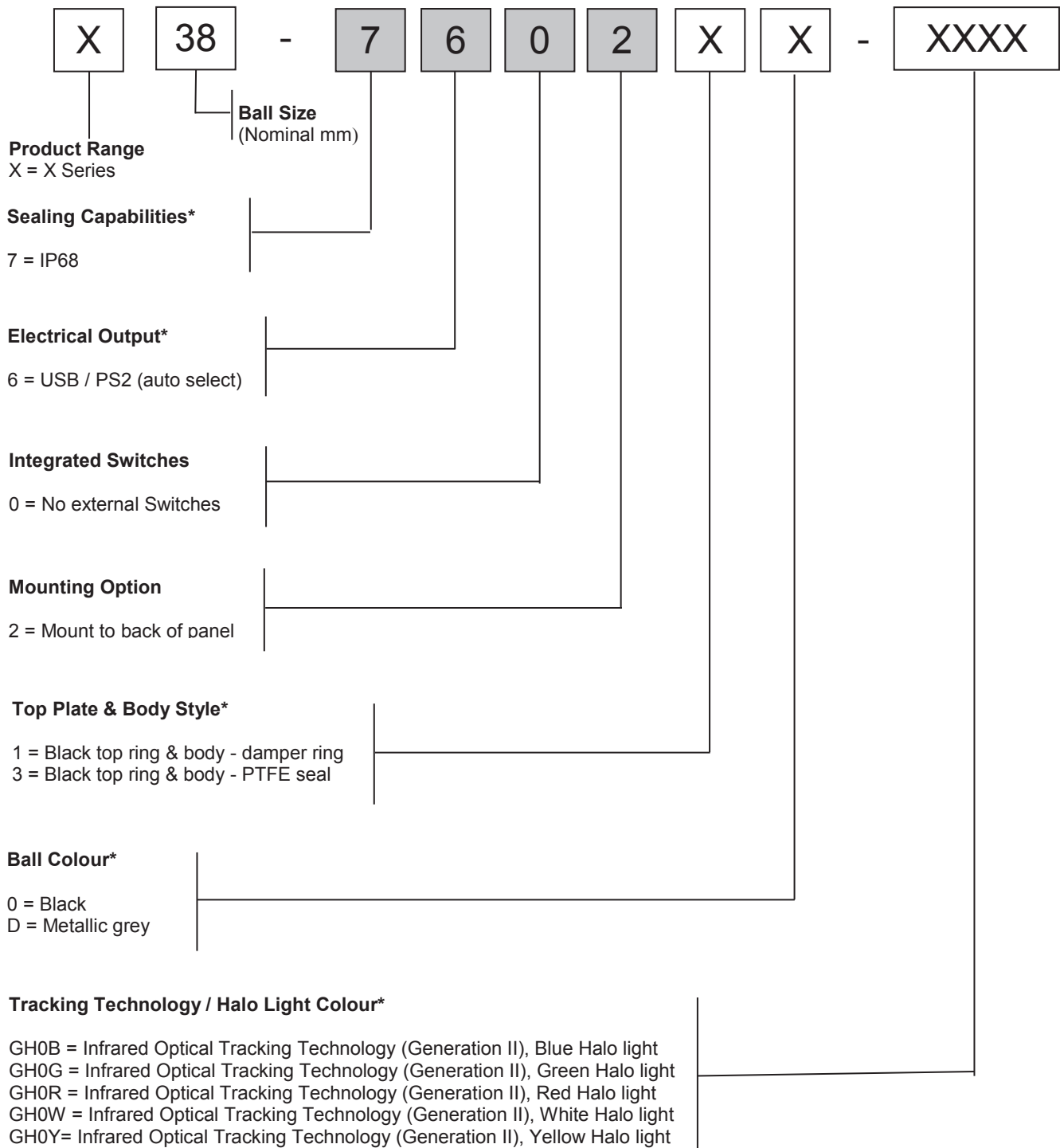
Dimensional drawing specifies factory default orientation.

All dimensions are in mm unless otherwise stated.

Tolerances +/- 0.25mm unless otherwise stated

Please note that an IGES model is available on request. Please contact your local sales office for more information.

9. PRODUCT ORDERING CODE SYSTEM



*For further options please contact your local sales representative

9.1 Ordering Example

X38-76023D-GH0R: X38, IP68, USB & PS/2 output, no external switches, mount to back of panel, black top and chassis (PTFE seal), metallic grey ball, infrared optical tracking technology (Generation II), red halo light