

P38 Compact Series – Ø38mm Panel Mount, Stainless Steel Trackball, Sealed, USB & PS/2 Outputs



1. DESCRIPTION

The P38 Compact Series are high specification, professional trackballs for use in demanding environments. High-grade stainless steel shafts and bearings ensure a solid and precise pointer control while the patented floating seal technology limits ingress of aqueous solutions and particulates.

The ball and trim are made from high quality stainless steel and provide extra protection in public access points where vandal attacks are commonplace. The optional anti-vandal kit also provides protection from high impacts of up to 10 Joules.

The unit has been designed to be back of panel mounted as part of OEM keyboards and consoles.

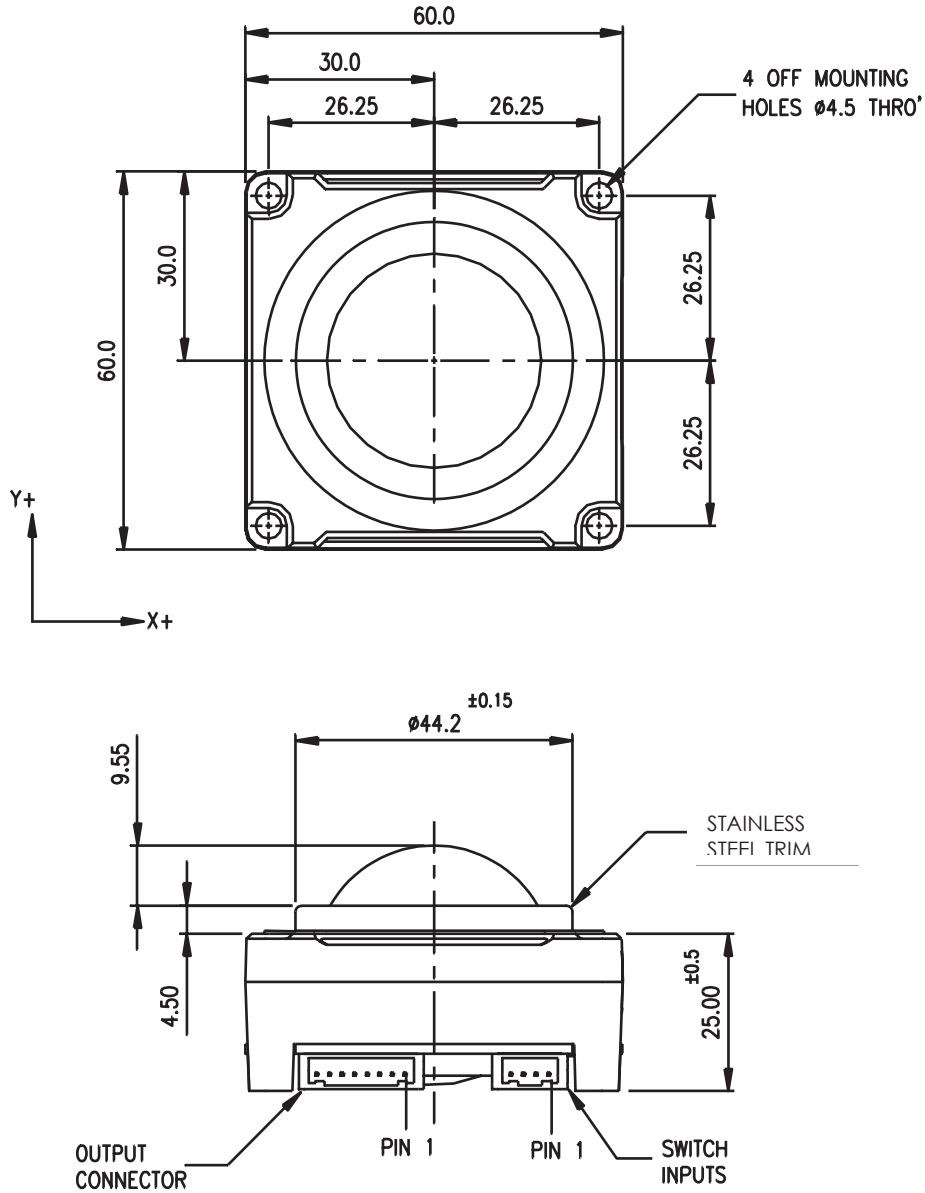
2. FEATURES

- Sealing options up to IP65 (BS EN 60529)
- Outputs: PS/2, USB (auto-select)
- Stainless steel ball and trim for enhanced protection in extreme environments
- Smooth operation in rugged environments
- Stainless steel shaft and bearings
- Custom connector options
- Optional anti-vandal kit

3. APPLICATIONS

- Control systems
- Medical systems
- Navigation systems
- Compact keyboards
- Industrial consoles
- OEM custom solutions available

7. OUTLINE DRAWING



Dimensional drawing specifies factory default orientation.

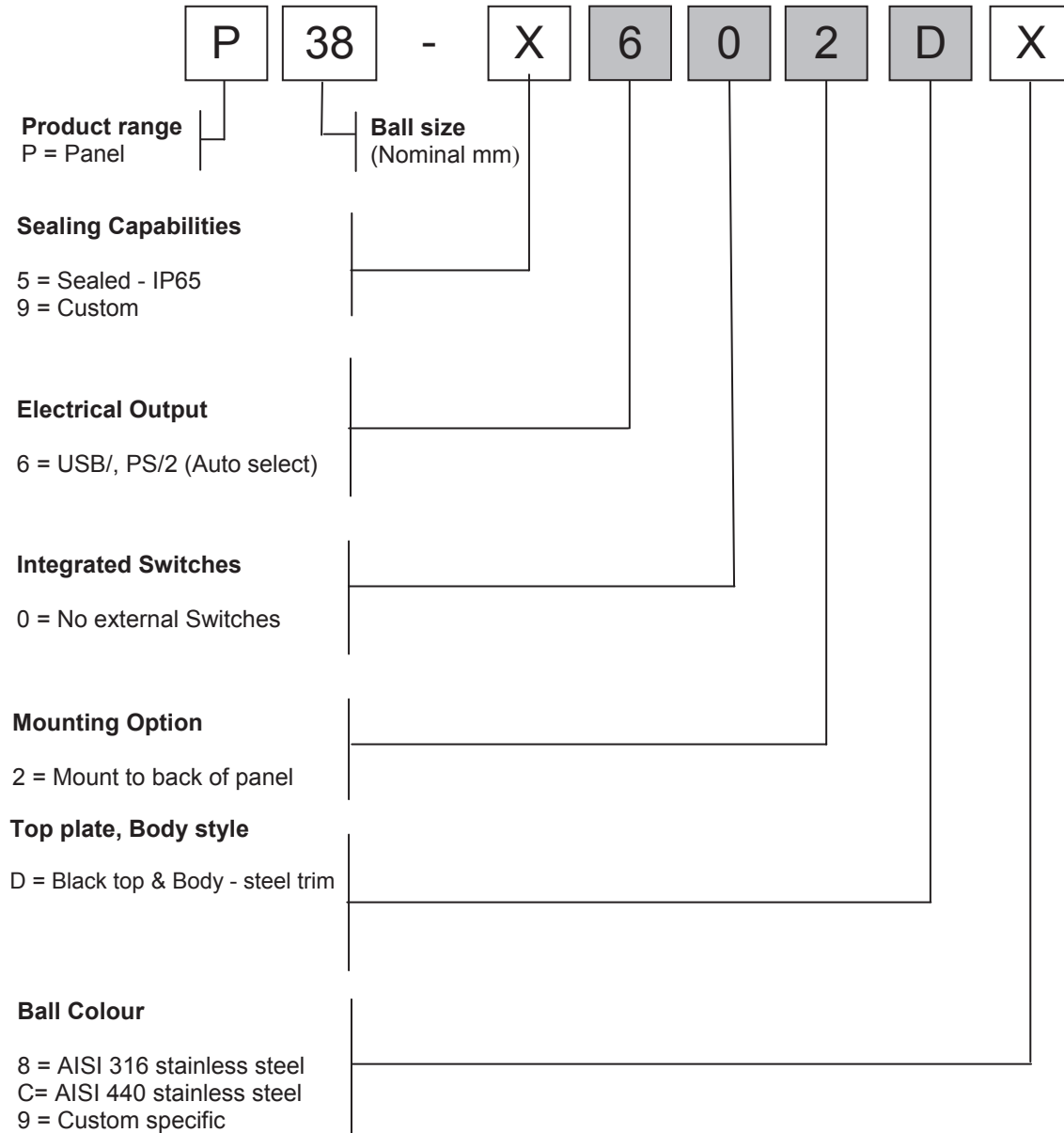
All dimensions are in mm unless otherwise stated.

Tolerances +/- 0.2mm unless otherwise stated

Please note that an IGES model is available on request. Please contact your local sales office for more information.

8. PRODUCT ORDERING CODE SYSTEM

Please construct your standard P38 Compact Series product ordering code by selecting the numbers and letters to suit your specification:



8.1 Ordering Example

P38-5602DC: Panel 38mm, sealed – IP65, USB, PS/2 output, no external switches, mount to back of panel, black top & body – steel trim, 440 stainless steel ball.