

---

---

**L38 Series – 38mm Trackball, Panel Mount, Removable Ball, Quadrature Output**

---



## 1. DESCRIPTION

Utilizing the latest and most advanced infra-red optical tracking technology, the L38 Series Trackerball™ is an extremely high specification, contact-less device, ideal for the most demanding of cursor control applications. The infra-red optical tracking engine provides accurate cursor motion at all speeds, combining the benefits of solid state sensing (no moving parts except the ball) with the aesthetics, functionality and performance associated with the Cursor Controls product range.

L38 Series trackballs are available with a variety of electrical outputs, friction controls, and sealing options to IP68. The solid state design and removable ball feature allows the device to be subjected to extreme conditions and provides the user with the ability to wash down, decontaminate, and sterilise, making it the ideal trackball for a wide range of demanding applications and environments.

The unit has been designed to be back of panel mounted as part of OEM keyboards and consoles.

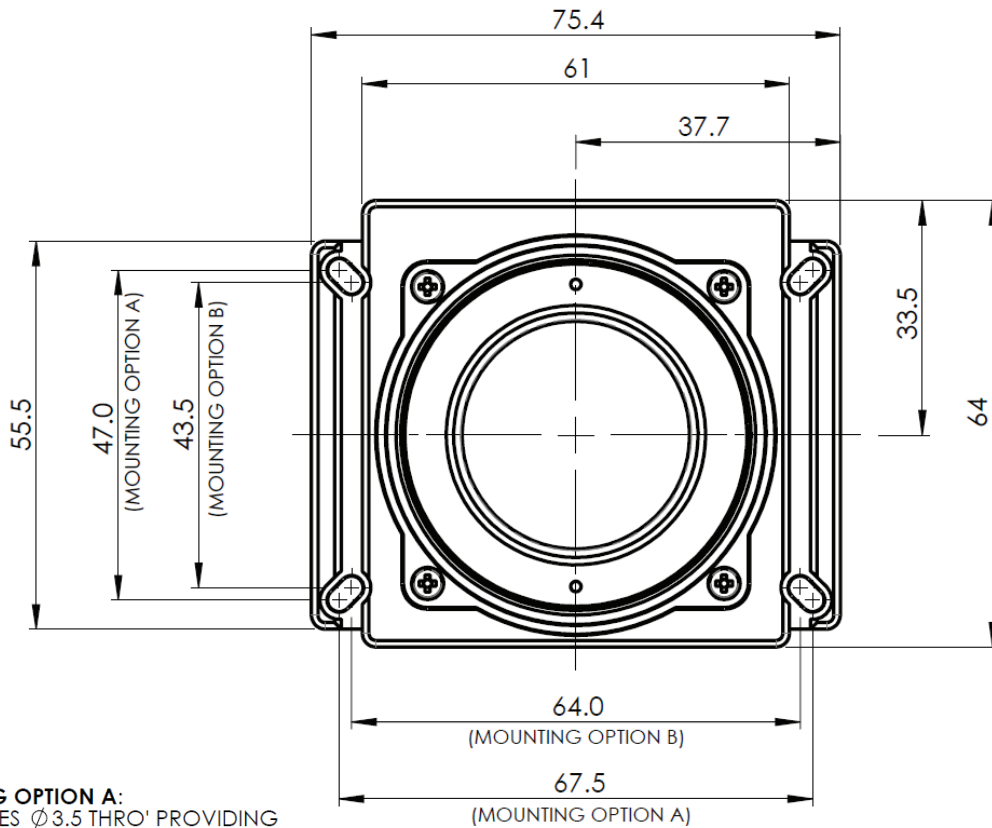
## 2. FEATURES

- Solid state sensing technology – Infra-red optical tracking engine
- Sealing up to IP68
- Output: TTL Quadrature
- Removable ball
- Smooth operation in rugged environments
- Various top plate configurations providing sealing and tracking force options
- Custom connector options
- Self draining and back flushing features (optional)
- Various ball colours

## 3. APPLICATIONS

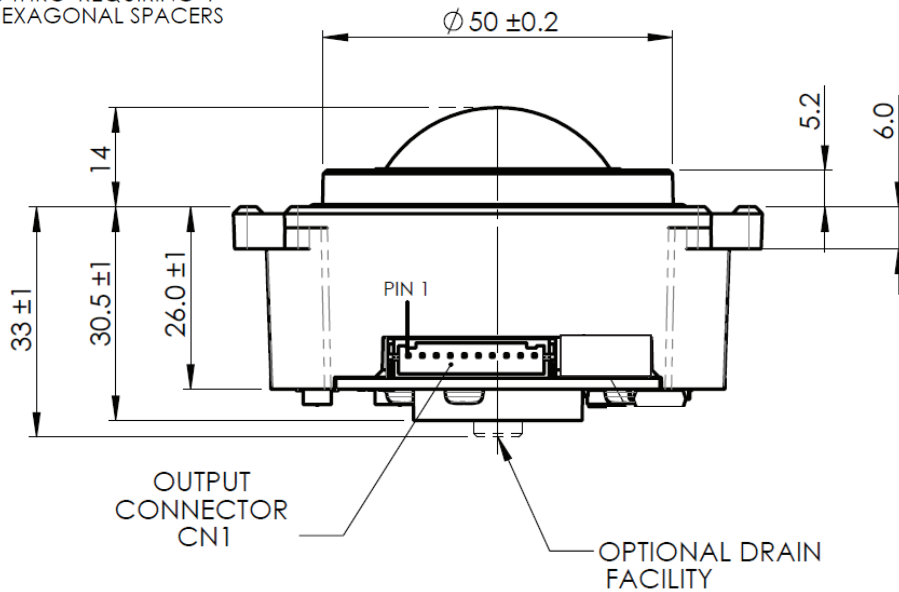
- Medical systems
- Marine systems
- Custom keyboard applications
- Industrial consoles
- OEM custom solutions available

7. DIMENSION DRAWING



**MOUNTING OPTION A:**  
4 OFF HOLES  $\varnothing 3.5$  THRO' PROVIDING  
CLEARANCE ON M3 NUT RUNNER  
(RECOMMENDED)

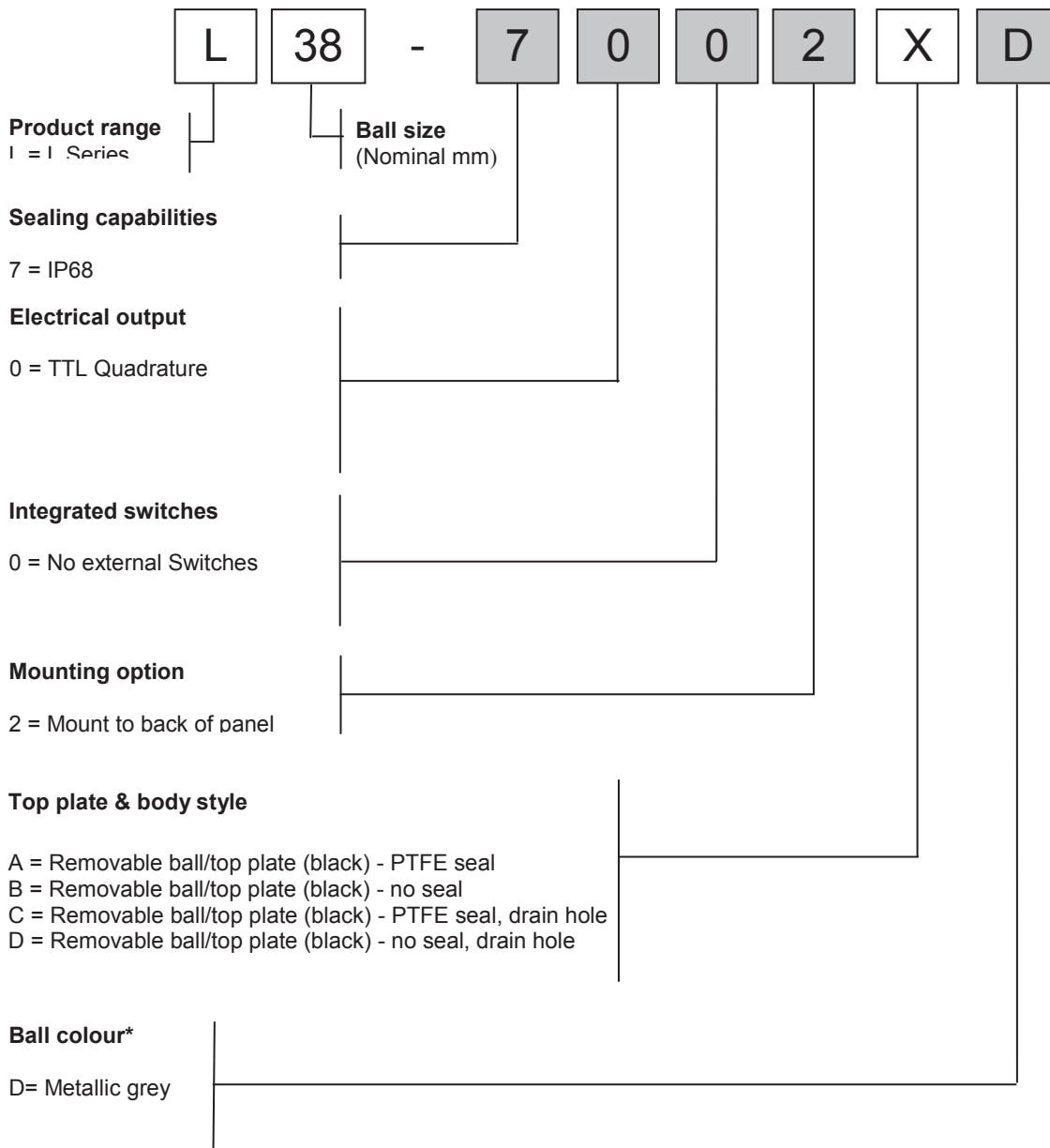
**MOUNTING OPTION B (P38 RETROFIT):**  
4 OFF HOLES  $\varnothing 3.5$  THRO' REQUIRING 4  
OFF M3 X 25MM HEXAGONAL SPACERS



All dimensions are in mm unless otherwise stated.  
Tolerances +/- 0.2mm unless otherwise stated  
Please note that an IGES model is available on request. Please contact your local sales office for more information.

## 8. PRODUCT ORDERING CODE SYSTEM

Please construct your standard product ordering code by selecting the numbers and letters to suit your specification:



\* For further options on ball colours please contact your local sales representative

### 8.1 Ordering Example

**L38-7002AD:** L38 Series, IP68, TTL Quadrature, no switches, mount to back of panel, removable ball/top plate (black) - PTFE seal, metallic grey ball.

**L38-7002CD:** L38 Series, IP68, TTL Quadrature, no switches, mount to back of panel, removable ball/top plate (black) - PTFE seal, drain hole, metallic grey ball.