
P38 Series - Panel Mount, Stainless Steel Trackball, Serial Output



1. DESCRIPTION

The P38 Series mechanical trackballs are high specification, professional devices for use in demanding environments.

High-grade stainless steel shafts and bearings ensure a solid and precise pointer control while the patented floating seal technology limits ingress of aqueous solutions and particulates.

The ball and trim are made from high quality stainless steel and provide extra protection in public access points where vandal attacks are commonplace. The optional anti-vandal kit also provides protection from high impacts of up to 10 Joules.

The unit has been designed to be back of panel mounted as part of OEM keyboards and consoles. .

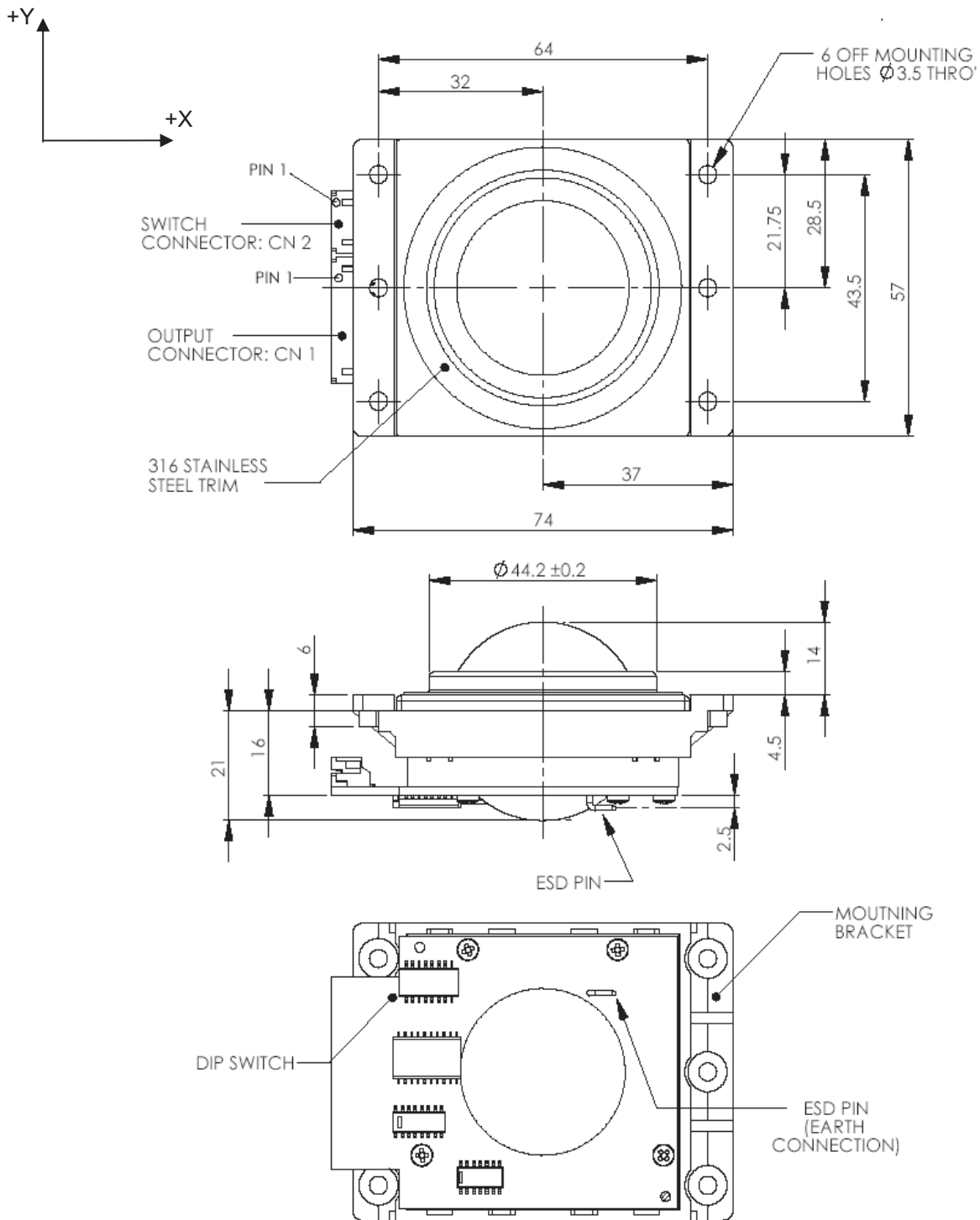
2. FEATURES

- Sealing options up to IP65 (BS EN 60529)
- Outputs: Microsoft Mouse, Mouse Systems, SUN Systems (DIP switch selectable)
- Smooth operation in rugged environments
- Various top plate configurations providing sealing and tracking force options
- High grade stainless steel shaft and bearings
- Custom connector options
- VX3™ – integrated zoom feature for scroll wheel functionality
- Optional anti-vandal kit (please contact sales for more information)

3. APPLICATIONS

- Control systems
- Kiosks
- Marine systems
- Navigation systems
- Sound and lighting desks
- Industrial consoles
- OEM custom solutions available

7. OUTLINE DRAWING



Dimensional drawing specifies factory default orientation.

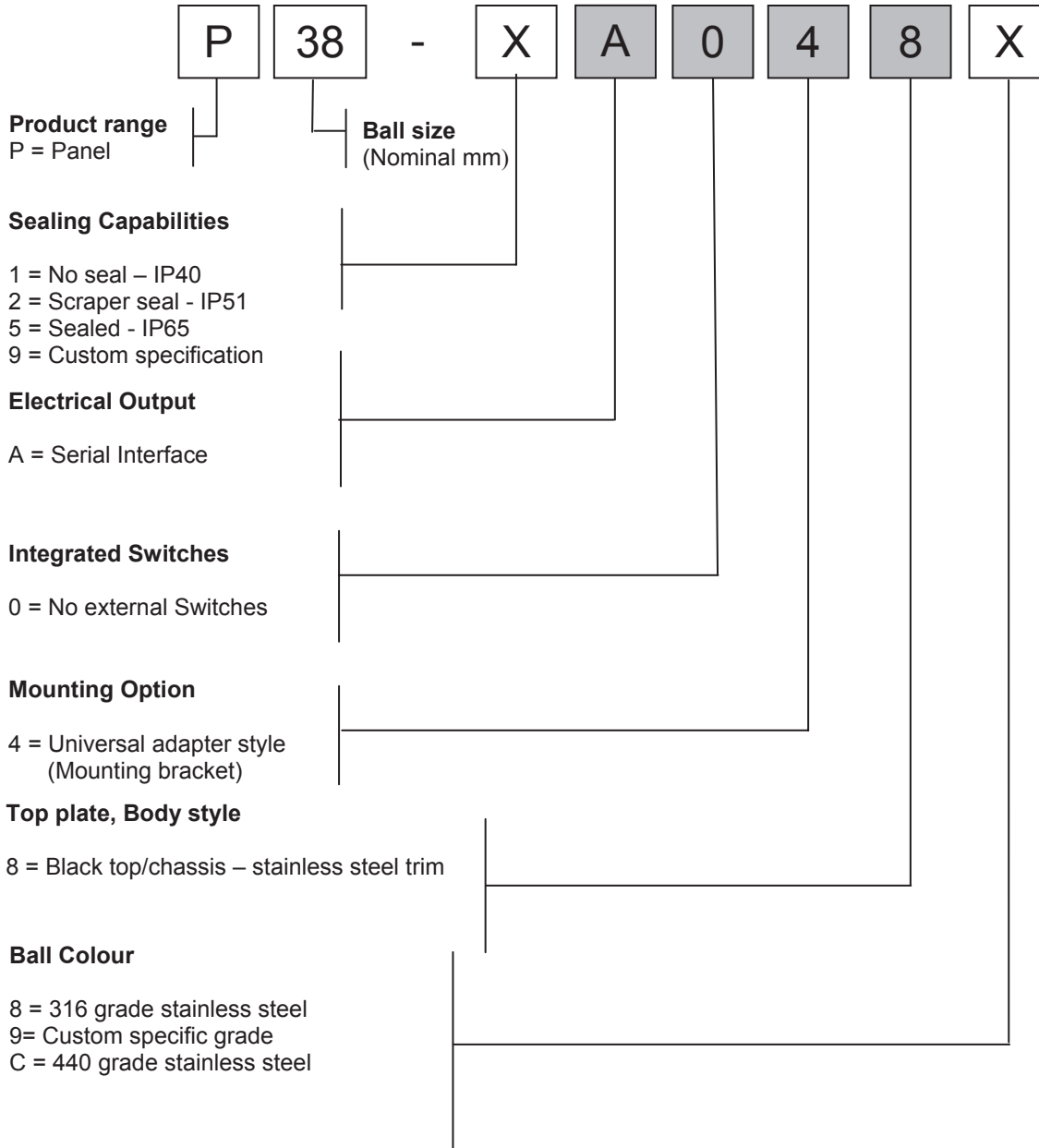
All dimensions are in mm unless otherwise stated.

Tolerances +/- 0.2mm unless otherwise stated

Please note that an IGES model is available on request. Please contact your local sales office for more information.

8. PRODUCT ORDERING CODE SYSTEM

Please construct your standard P38 Series product ordering code by selecting the numbers and letters to suit your specification:



8.1 Ordering Example

P38-5A048C: Panel 38mm, sealed - IP65, serial interface, no switches, universal adapter style, black top plate/chassis – stainless steel trim, 440 stainless steel ball

P38-1A0488: Panel 38mm, no seal – IP40, serial interface, no switches, universal adapter style, black top plate/chassis – stainless steel trim, 316 stainless steel ball