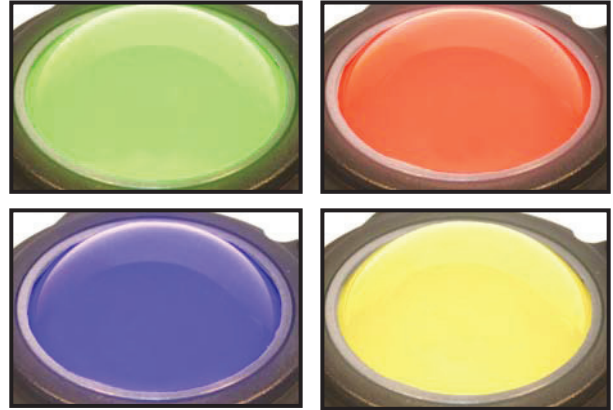


P38 Series – Panel Mount Backlit Trackball, USB, PS/2 Output Sealed/Non-sealed



1. DESCRIPTION

The P38 Series backlit mechanical trackballs are high specification modules available with a variety of backlit ball colours, electrical outputs, and sealing options to IP65.

High-grade stainless steel shafts and bearings ensure a solid and precise pointer control while the patented floating seal technology limits ingress of aqueous solutions and particulates.

A choice of top plate and chassis configurations are available to provide various options on sealing, backlighting, tracking force and installation.

The unit has been designed to be back of panel mounted as part of OEM keyboards and consoles.

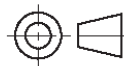
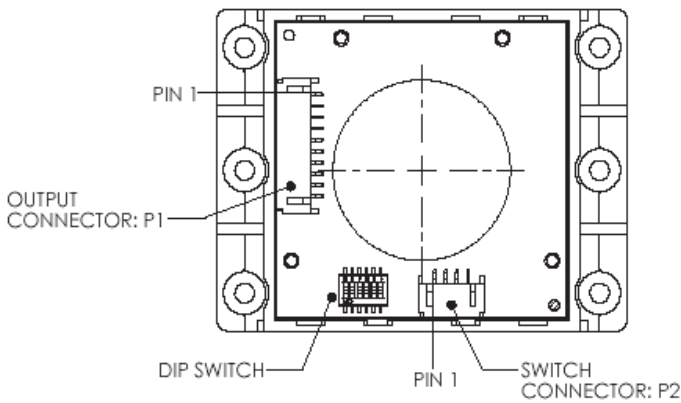
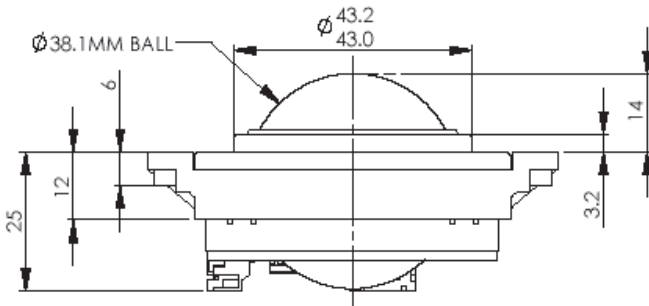
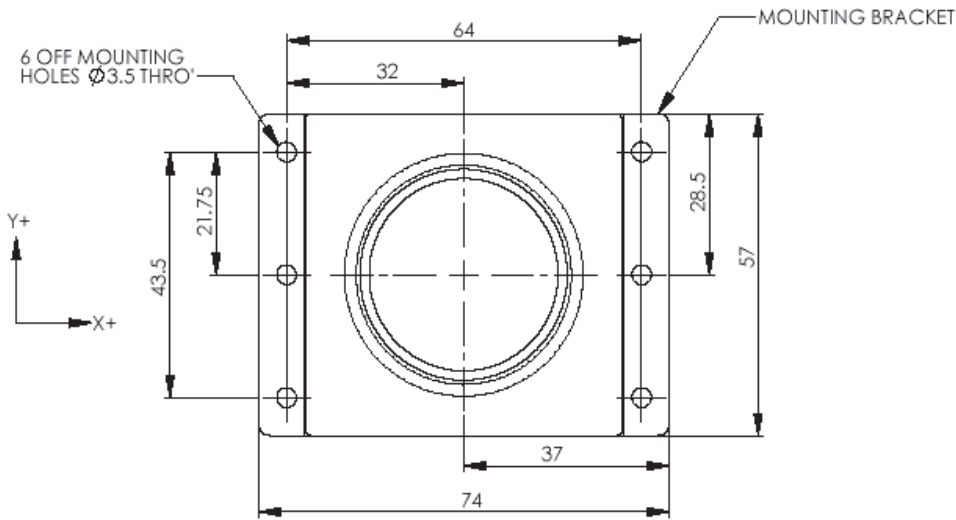
2. FEATURES

- Sealing options up to IP65 (BS EN 60529)
- Outputs: USB, PS/2 (auto-select)
- Smooth operation in rugged environments
- Stainless steel shaft and bearings
- Various top plate configurations providing sealing and tracking force options
- Various backlit ball colours
- Custom connector options

3. APPLICATIONS

- Control systems
- Medical systems
- Navigation systems
- Compact keyboards
- Industrial consoles
- OEM custom solutions available

7. OUTLINE DRAWING



3RD ANGLE PROJECTION

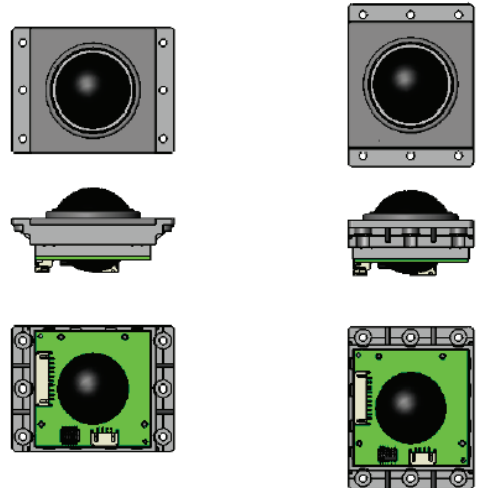
MOUNTING OPTIONS
THE MOUNTING BRACKET CAN BE CONNECTED TO THE P38 SERIES TRACKBALL IN 1 OF 2 WAYS - SEE BELOW.

OPTION A: LEFT/RIGHT

DIP SWITCH SETTING: ALL OFF
OUTPUT CONNECTOR DIRECTION = LEFT
MOUNTING HOLES = LEFT/RIGHT POSITION

OPTION B: UP/DOWN

DIP SWITCH SETTING: ALL OFF
OUTPUT CONNECTOR DIRECTION = LEFT
MOUNTING HOLES = UP/DOWN POSITION



Dimensional drawing specifies factory default orientation.

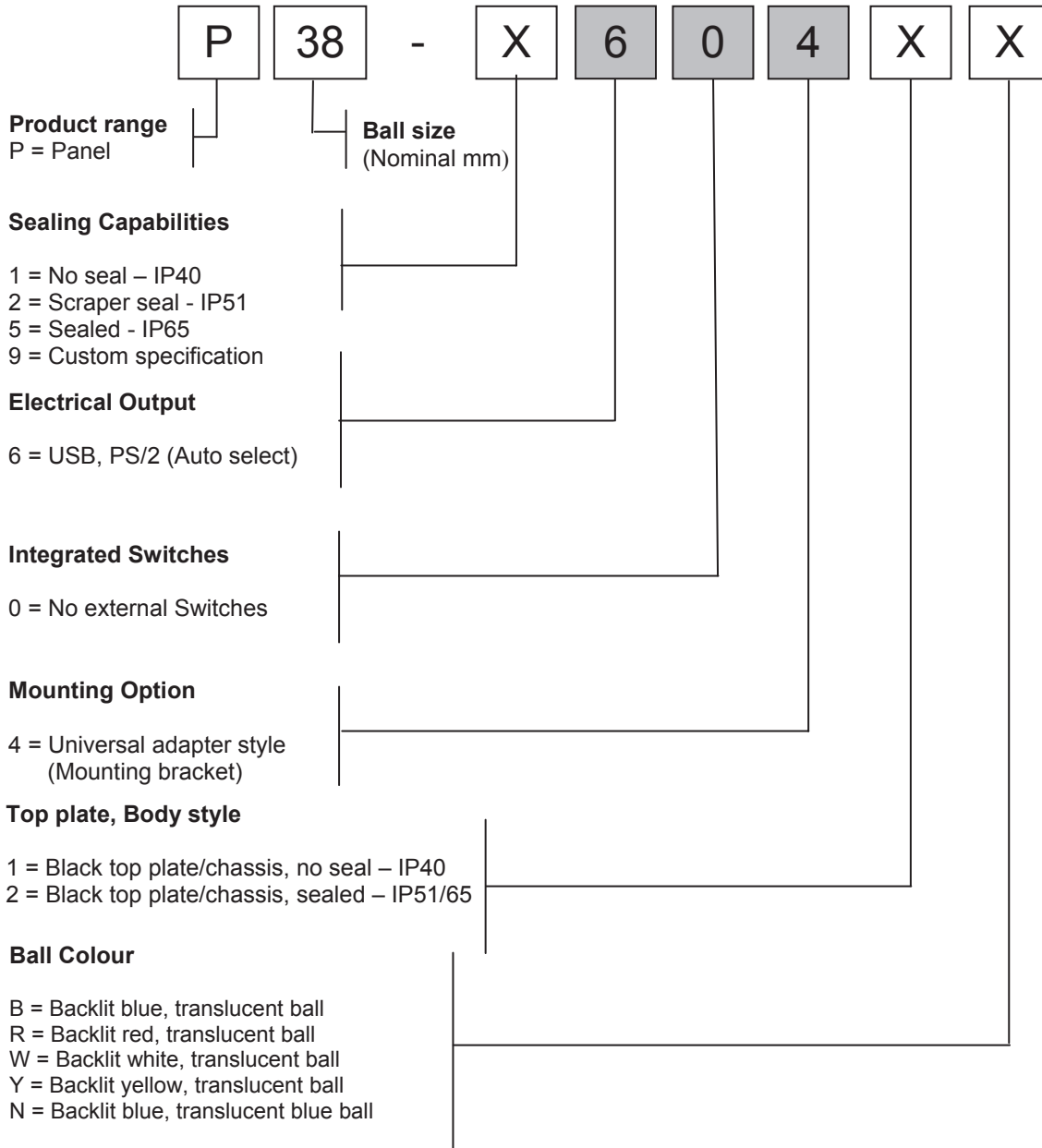
All dimensions are in mm unless otherwise stated.

Tolerances +/- 0.2mm unless otherwise stated

Please note that an IGES model is available on request. Please contact your local sales office for more information.

8. PRODUCT ORDERING CODE SYSTEM

Please construct your standard P38 Series product ordering code by selecting the numbers and letters to suit your specification:



8.1 Ordering Example

P38-56042R: Panel 38mm, sealed - IP65, USB, PS/2 output, no switches, universal adapter style, black top plate/chassis - sealed, backlit red ball

P38-16041N: Panel 38mm, no seal – IP40, USB, PS/2 output, no switches, universal adapter style, black top plate/chassis – no seal, backlit blue, translucent blue ball