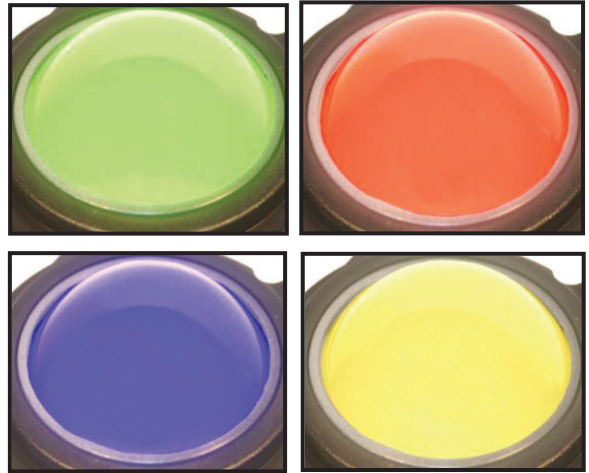


P38 Compact Series – Ø38mm Panel Mount Backlit Trackball, Sealed/Non-sealed, USB & PS/2 Outputs



1. DESCRIPTION

The P38 Compact Series are high specification, professional trackballs for use in demanding environments.

The device is available in a variety of backlit ball colours including blue, green, red, white and yellow.

High-grade stainless steel shafts and bearings ensure a solid and precise pointer control while the patented floating seal technology limits ingress of aqueous solutions and particulates.

A choice of top plate and chassis configurations are available to provide various options on sealing, backlighting, bezel diameters and installation.

The unit has been designed to be back of panel mounted as part of OEM keyboards and consoles in low level light environments.

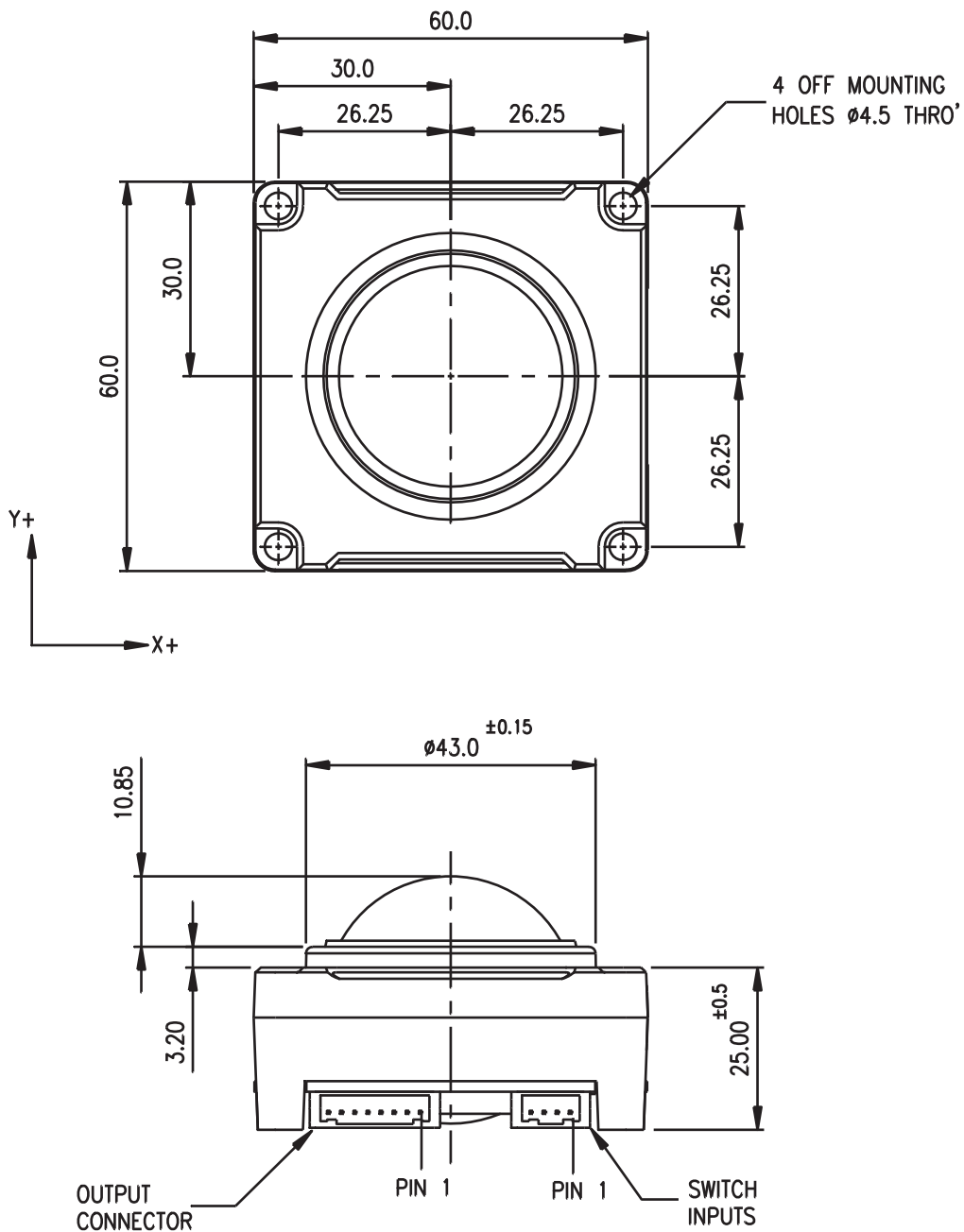
2. FEATURES

- Sealing options up to IP65 (BS EN 60529)
- Outputs: USB & PS/2 (auto-select)
- Backlit ball – various colours available
- Smooth operation in rugged environments
- Stainless steel shaft and bearings
- Various top plate configurations providing sealing and tracking force options
- Custom connector options
- Optional anti-vandal kit

3. APPLICATIONS

- Control systems
- Medical systems
- Navigation systems
- Compact keyboards
- Industrial consoles
- OEM custom solutions available

7. OUTLINE DRAWING



Dimensional drawing specifies factory default orientation.

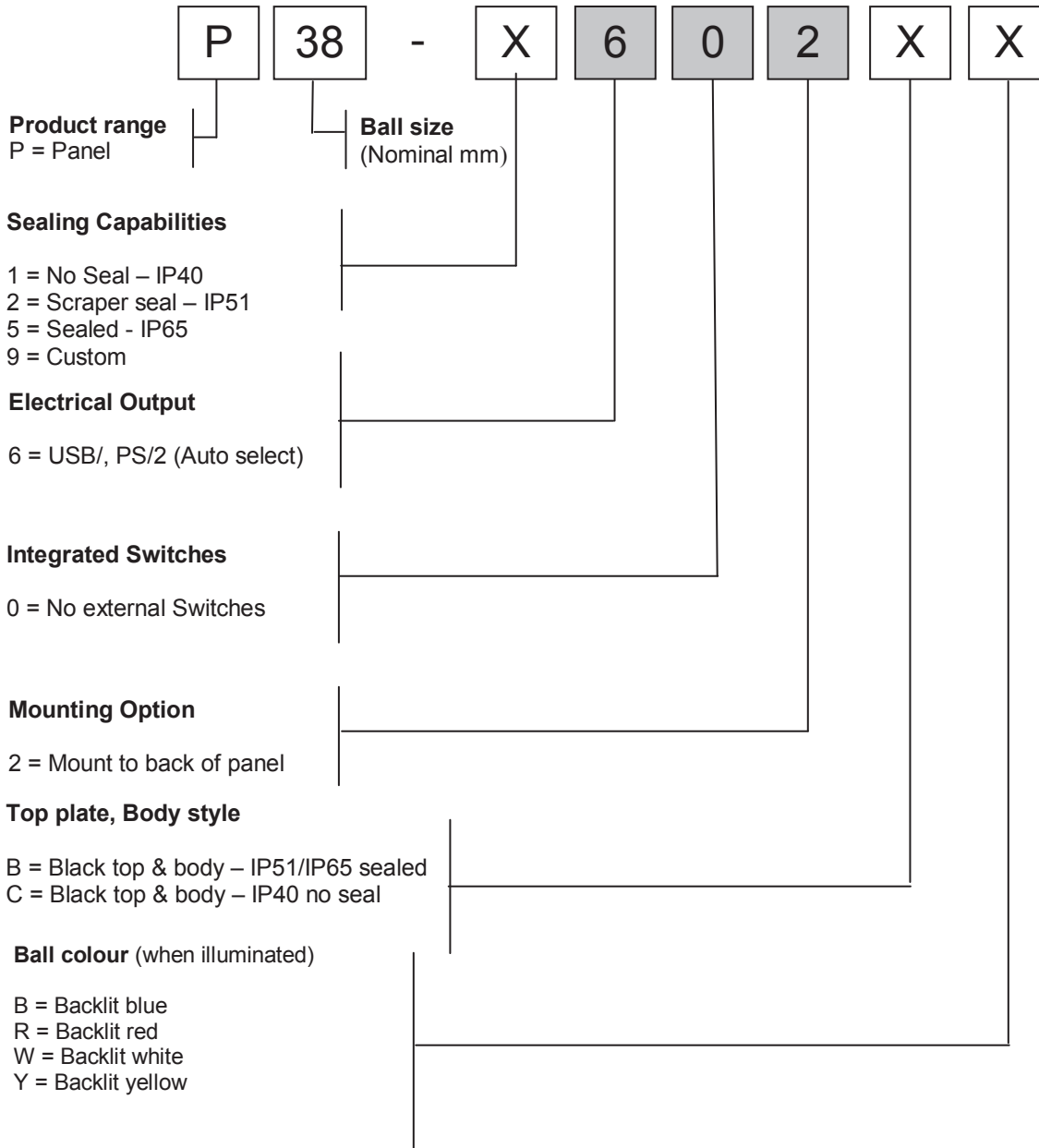
All dimensions are in mm unless otherwise stated.

Tolerances +/- 0.2mm unless otherwise stated

Please note that an IGES model is available on request. Please contact your local sales office for more information.

8. PRODUCT ORDERING CODE SYSTEM

Please construct your standard P38 Compact Series product ordering code by selecting the numbers and letters to suit your specification:



8.1 Ordering Example

P38-5602BW: Panel 38mm, sealed - IP65, USB/PS/2 output, no switches, mount to back of panel, black top & body – IP65 sealed, backlit white ball

P38-1602CB: Panel 38mm, no seal – IP40, USB/PS/2 output, no switches, mount to back of panel, black top & body – IP40 no seal, backlit blue ball