

P38 Compact Series – Ø38mm Ball, USB & PS/2 Output, Removable Top Ring (Bayonet Locking Style), Removable Ball



1. DESCRIPTION

The P38 Compact Series are high specification, professional trackballs for use in demanding environments. High-grade stainless steel shafts and bearings ensure a solid and precise pointer control while the patented floating seal technology (optional) provides protection against ingress of aqueous solutions and particulates. The trackball features a bayonet style removable top ring which allows the user to regularly maintain and clean the ball and internal working mechanisms, making it ideal for applications where dust and moisture are commonplace. The ability to remove the top ring and clean the trackball ensures the user is able to experience optimum performance in harsh environments at all times. The unit has been designed to be back of panel mounted as part of OEM keyboards and consoles.

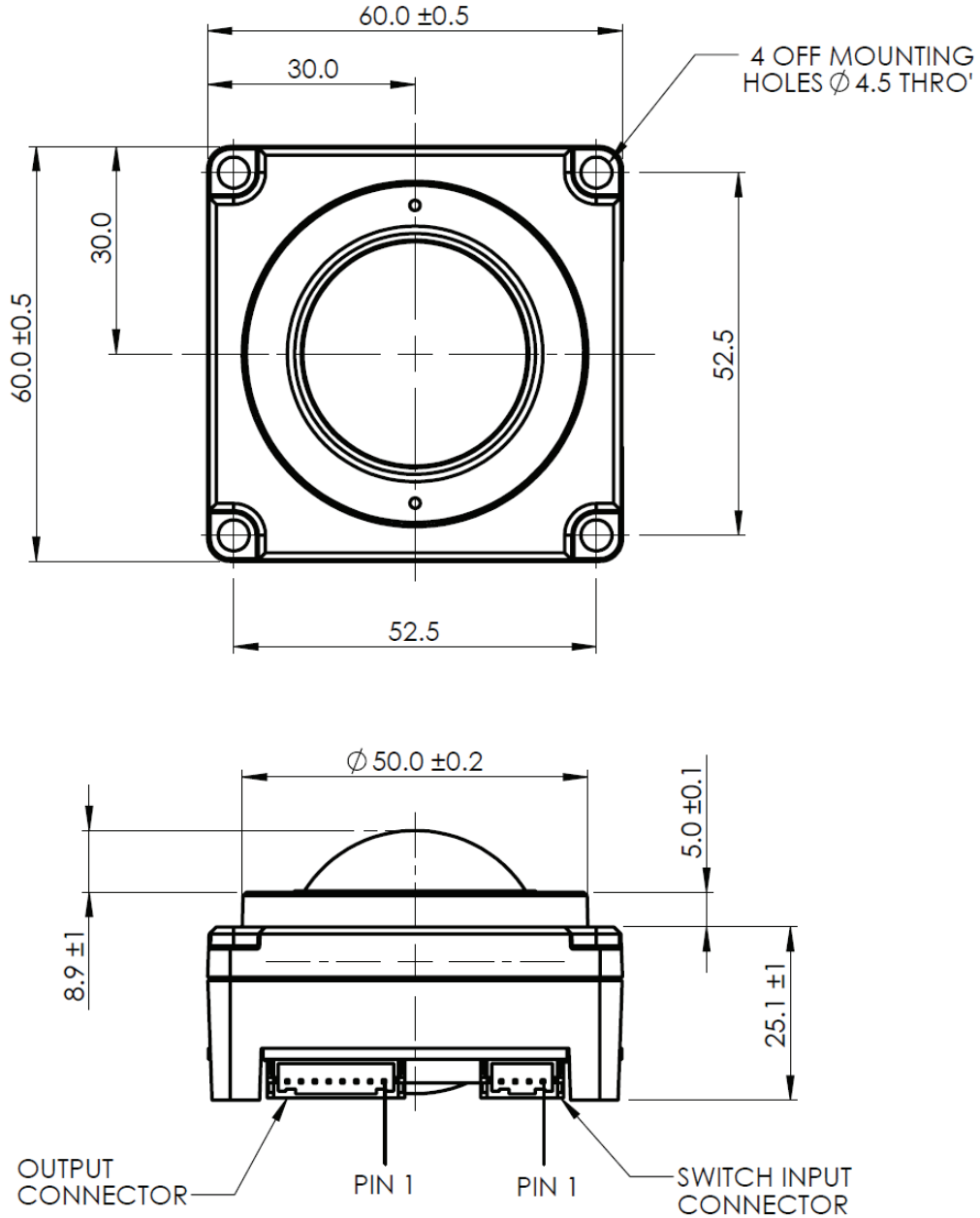
2. FEATURES

- Sealing to IP65 (BS EN 60529)
- Output: USB & PS/2 (auto-select)
- Removable top ring/ball feature
- Smooth operation in rugged environments
- Stainless steel shaft and bearings
- Backlit ball options
- Custom connector options

3. APPLICATIONS

- Control systems
- Medical systems
- Navigation systems
- Compact keyboards
- Industrial consoles
- OEM custom solutions available

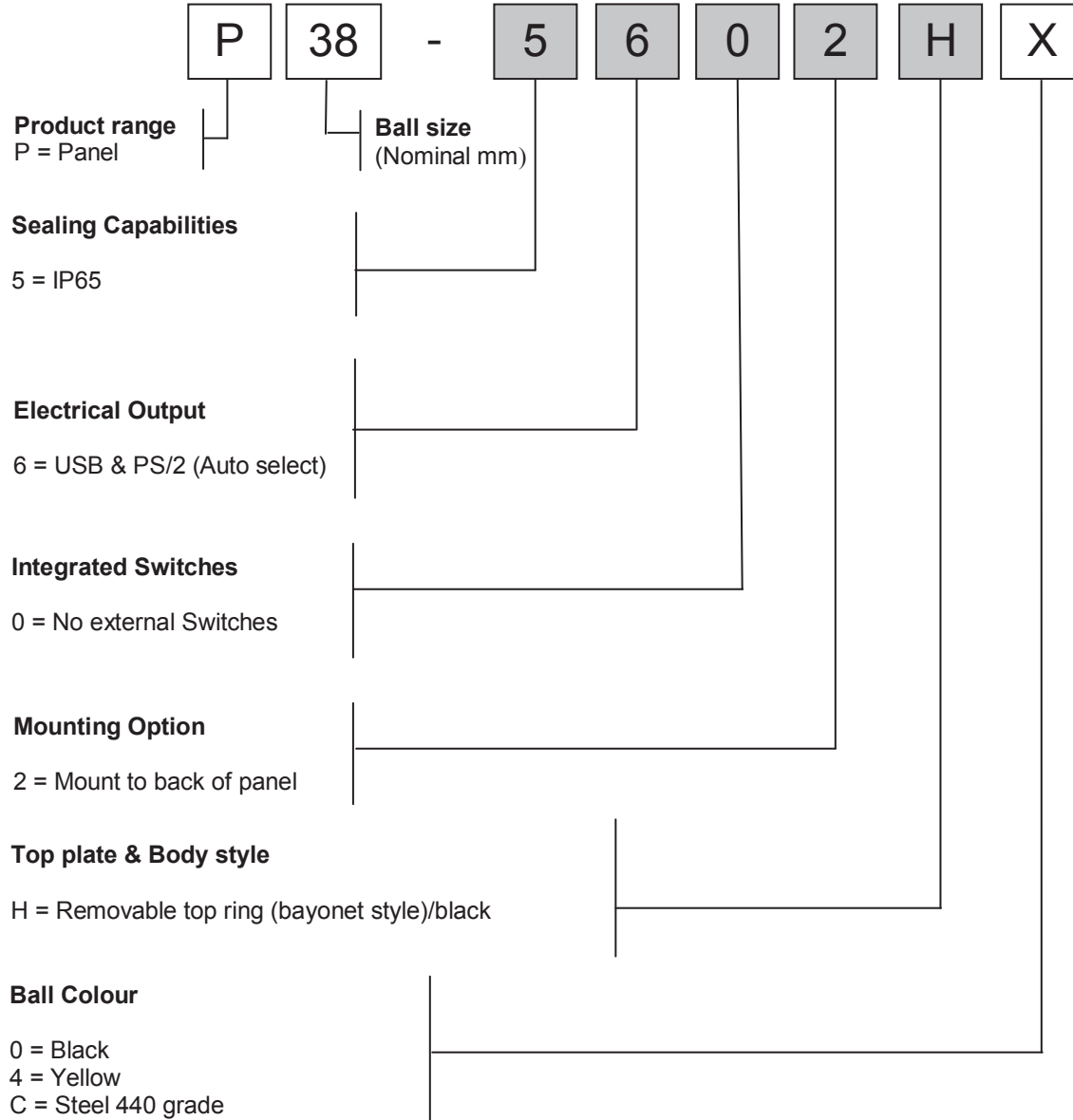
8. OUTLINE DRAWING



Dimensional drawing specifies factory default orientation.
 All dimensions are in mm unless otherwise stated.
 Tolerances +/- 0.2mm unless otherwise stated
 Please note that an IGES model is available on request. Please contact your local sales office for more information.

9. PRODUCT ORDERING CODE SYSTEM

Please construct your standard P38 Compact Series product ordering code by selecting the numbers and letters to suit your specification:



9.1 Ordering Example

P38-5602H0: P38mm compact series, IP65, USB & PS/2 output, no external switches, mount to back of panel, Removable top ring (bayonet style)/black, black ball

P38-5602H4: P38mm compact series, IP65, USB & PS/2 output, no external switches, mount to back of panel, Removable top ring (bayonet style)/black, yellow ball