

F38 Series – Rugged Mechanical Trackball, USB or PS/2 Output HALO Light Feature



N.B. Output cable not included

Figure 1: CCL F-Series Trackball

1 DESCRIPTION

The F38 Series trackball is a high specification human interface device designed to operate in extremely demanding environments where reliability and robustness are essential.

The unique aluminium construction provides excellent impact strength, electrical shielding, and environmental protection, making the trackball an all-round robust solution for the most demanding of military, marine and aerospace applications.

High-grade stainless steel shafts and bearings ensure a solid and precise pointer control.

The trackball incorporates an illuminated ring around the ball to enable the user to locate the trackball in low light environments. The HALO feature can also be used to compliment other backlit features incorporated within a user interface panel and is available in a wide range of colours

The trackball also includes the Cursor Controls Ltd, patent protected, anti-vibration technology which ensures that only intended ball movements are transmitted to the host system (i.e. when the user's hand is in contact with the surface of the ball). This feature eliminates any unwanted cursor motion resulting from ball movement caused by external shocks or vibrations.

The F38 Series trackball can also be configured with various top plate styles providing options on ball tracking force and illumination for use in low light environments.

The trackball has been designed to be back of panel mounted as part of a rugged keyboard/console or alternatively can be supplied as part of a custom panel solution with integrated switches (please consult your local sales office for details on customised solutions).

5.5 HALO Light Feature

The F38 Series HALO trackball module provides all the features of the standard F38 trackball module with the inclusion of an illuminated ring surrounding the ball. The light ring provides an excellent means of locating the trackball in low level light environments and also serves as an aesthetic feature to compliment other illuminated components incorporated within a user interface panel. Figures 6 and 7 below show the HALO feature in its powered and non-powered state.

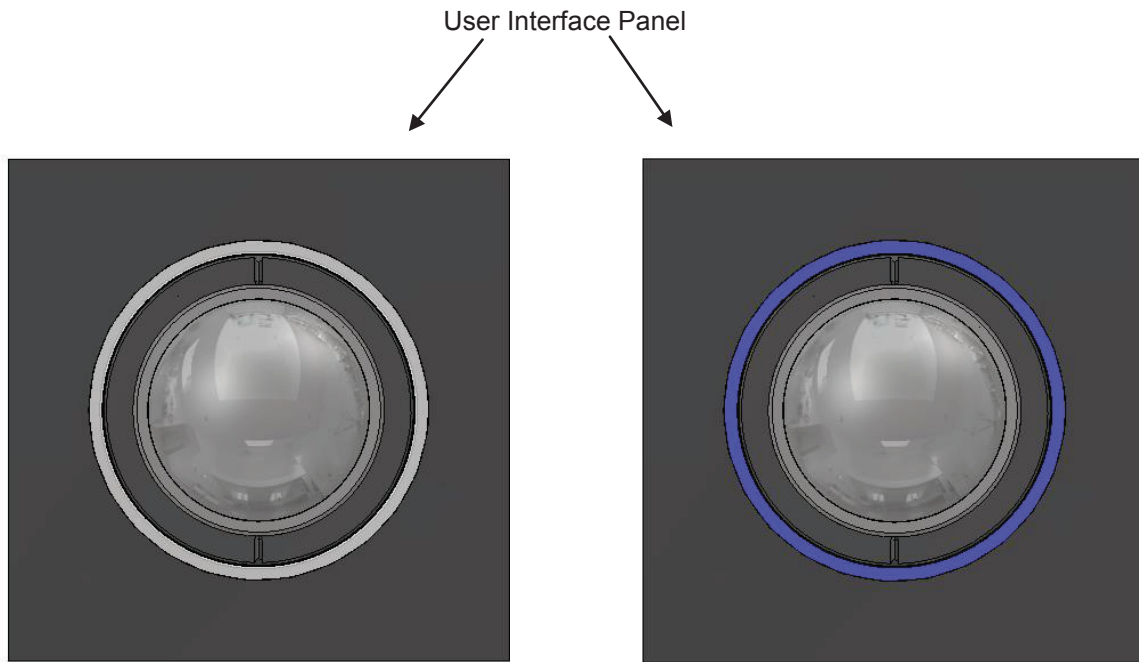
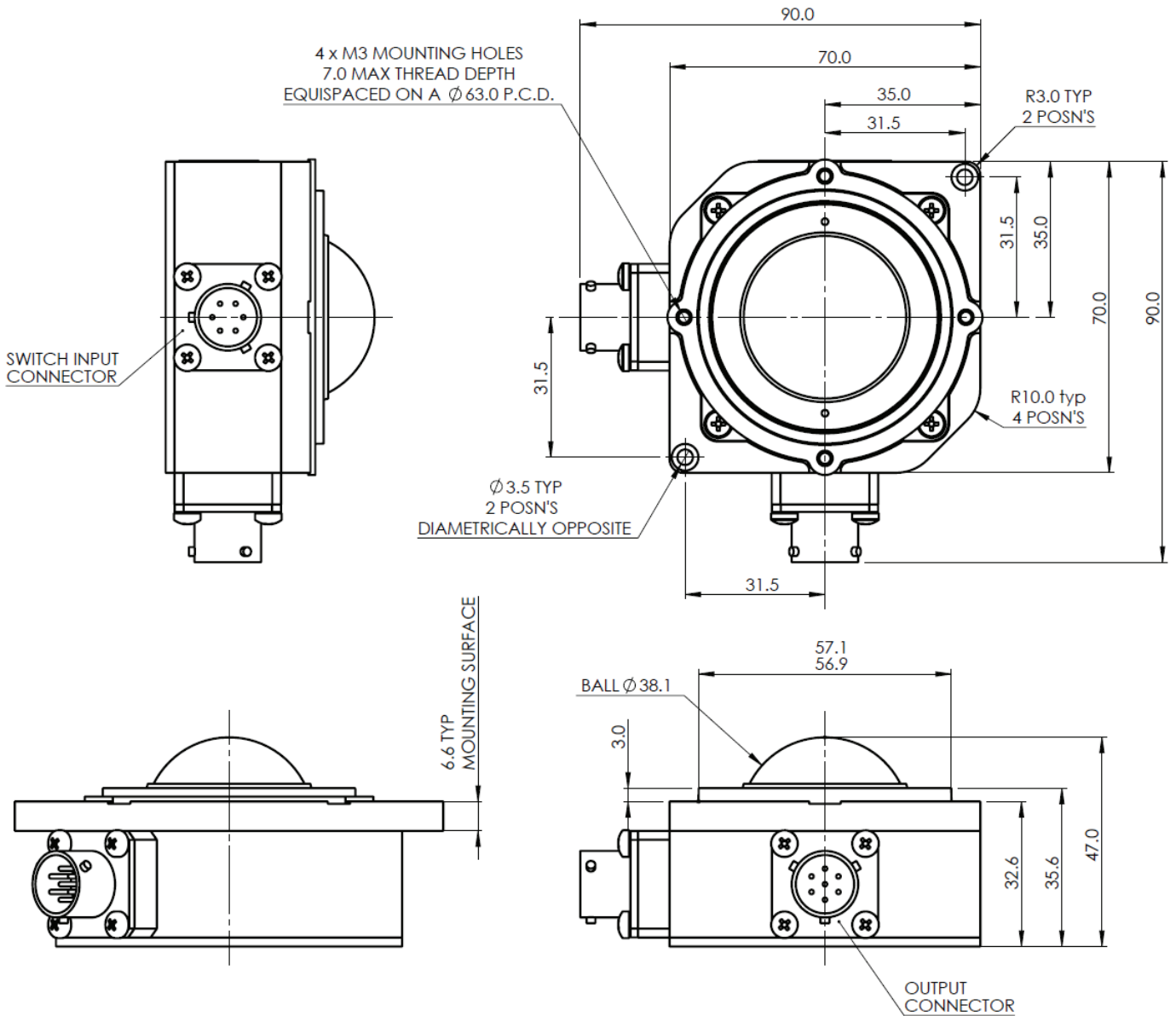


Figure 6: Trackball light ring – non-illuminated

Figure 7: Trackball light ring – illuminated

6 OUTLINE DRAWING



Dimensional drawing specifies factory default orientation.

All dimensions are in mm unless otherwise stated.

Tolerances +/- 0.2mm unless otherwise stated

Please note that an IGES model is available on request. Please contact your local sales office for more information.

7 PRODUCT ORDERING CODE SYSTEM

Please construct your standard product ordering code by selecting the numbers and letters to suit your specification:



Product Range
F = Rugged Series

Ball size
(Nominal mm)

Sealing Capabilities

5 = IPX5

Electrical Output

4 = PS/2
5 = USB

Integrated Switches

0 = No Integrated Switches

Mounting Option

2 = Mount to back of panel

Ball Retention Style

Option 3 = Removable polycarbonate bayonet locking ring, black
Option 4 = Removable polycarbonate threaded locking ring, black
Option 6 = Removable aluminium threaded locking ring, black

See product selector document DS38058 for additional top plate style details

Ball Colour

0 = Black
4 = Yellow

Tracking Engine

A = Mechanical

HALO Illumination

H0W = White
H0B = Blue
H0G = Green
H0R = Red
H0Y = Yellow

* For further options please contact your local sales representative

7.1 Ordering Example

F38-550230-AH0B: F50 Rugged Series, IPX5, USB, no integrated switches, mount to back of panel, Removable polycarbonate bayonet locking ring, black ball, mechanical tracking engine, blue HALO illumination.