

---

---

## P38 Series – 38mm Panel Mount Trackball, TTL Quadrature Output

---



### 1. DESCRIPTION

The P38 Series are high specification, professional trackballs for use in demanding environments. High-grade stainless steel shafts and bearings ensure a solid and precise pointer control while the patented floating seal technology limits ingress of aqueous solutions and particulates.

A choice of top plate and chassis configurations are available to provide various options on sealing, backlighting, bezel diameters and installation.

The unit has been designed to be back of panel mounted as part of OEM keyboards and consoles.

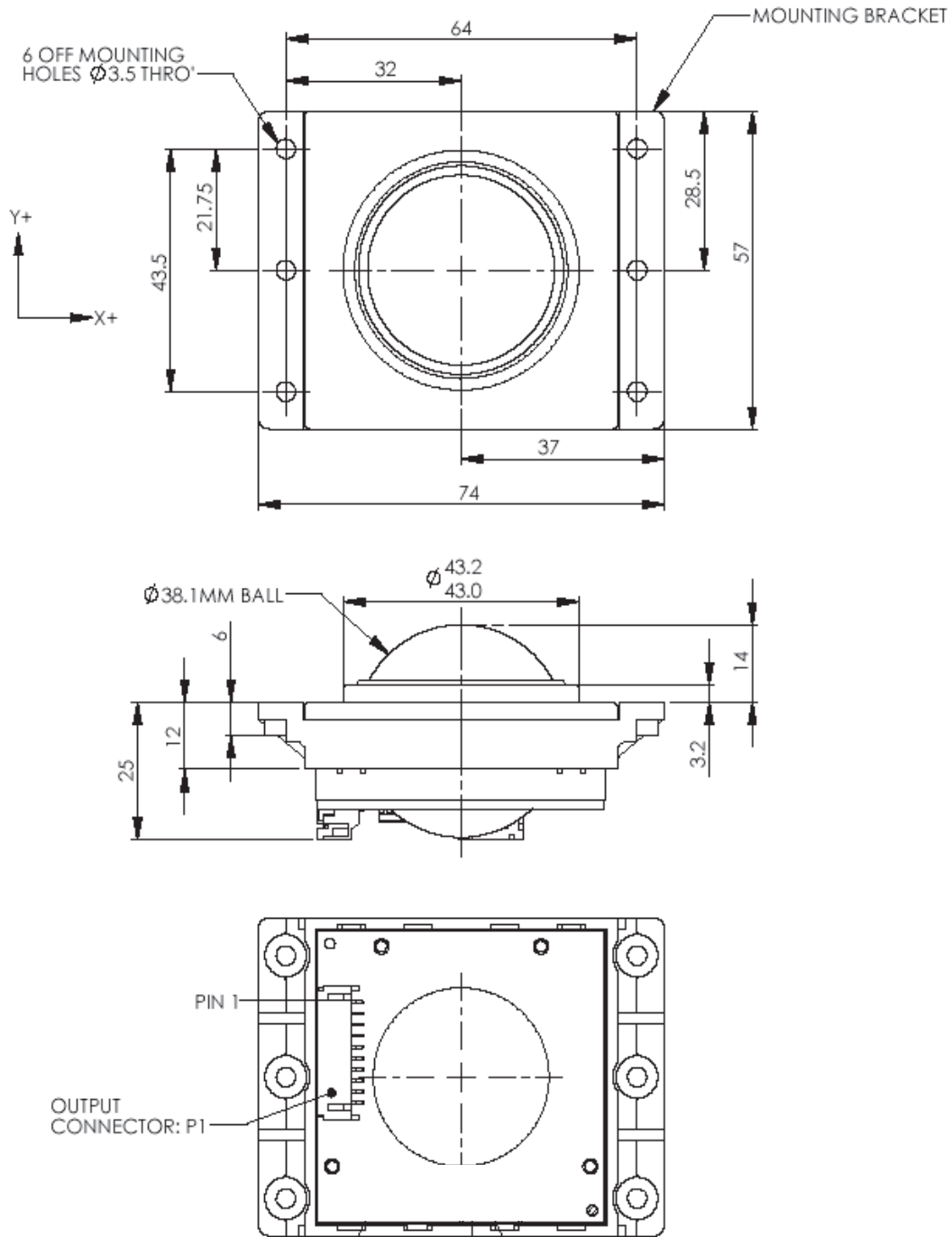
### 2. FEATURES

- Sealing options up to IP65 (BS EN 60529)
- Outputs: TTL Quadrature
- Smooth operation in rugged environments
- Stainless steel shaft and bearings
- Various top plate configurations providing sealing and tracking force options
- Various ball colours
- Custom connector options
- Optional anti-vandal kit

### 3. APPLICATIONS

- Control systems
- Medical systems
- Navigation systems
- Compact keyboards
- Industrial consoles
- OEM custom solutions available

6. OUTLINE DRAWING



Dimensional drawing specifies factory default orientation.

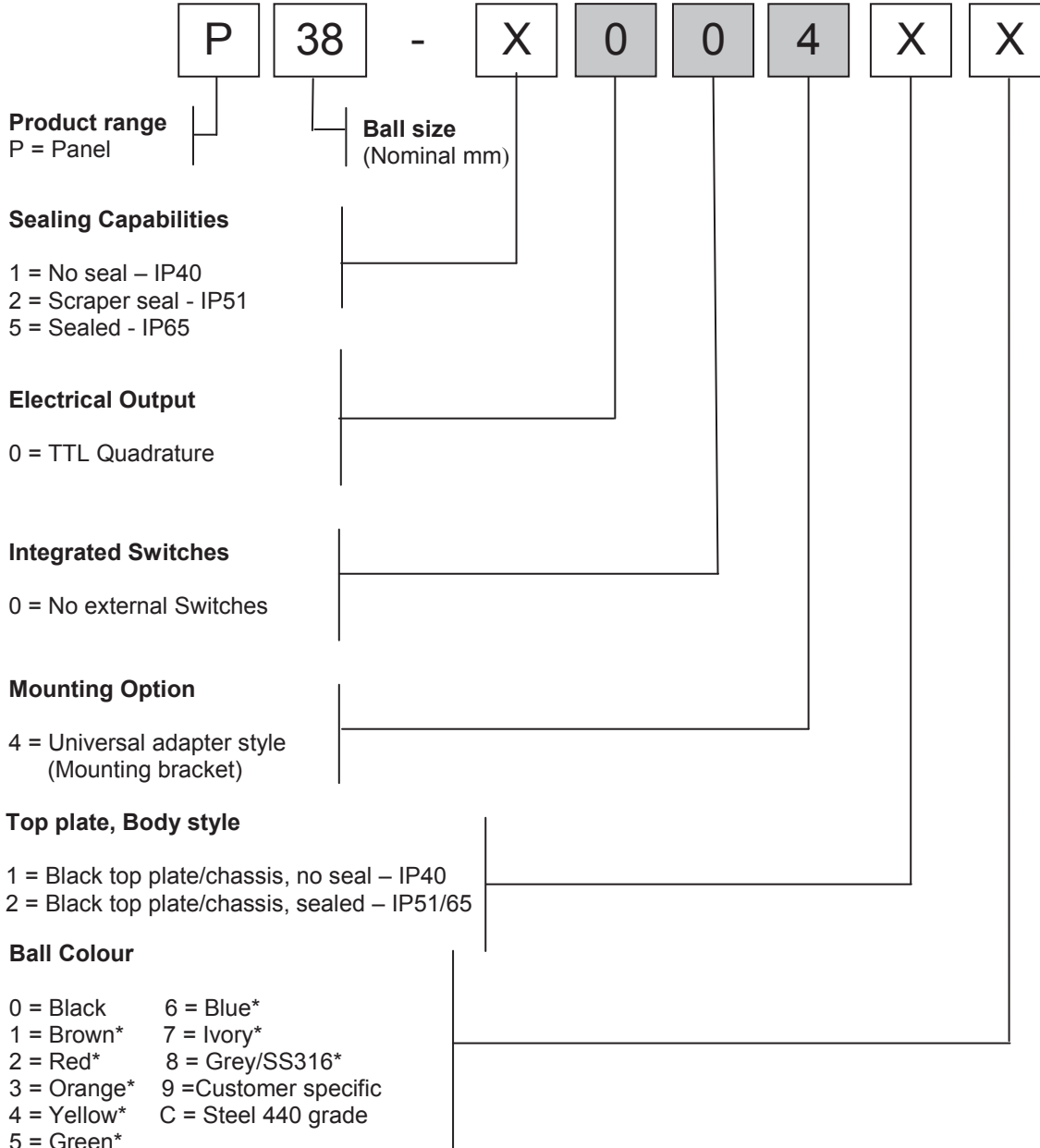
All dimensions are in mm unless otherwise stated.

Tolerances +/- 0.2mm unless otherwise stated

Please note that an IGES model is available on request. Please contact your local sales office for more information.

## 7. PRODUCT ORDERING CODE SYSTEM

Please construct your standard P38 Series product ordering code by selecting the numbers and letters to suit your specification:



### 7.1 Ordering Example

**P38-500420:** Panel 38mm, sealed - IP65, TTL Quadrature, no switches, universal adapter style, black top plate/chassis - sealed, black ball

**P38-100410:** Panel 38mm, no seal – IP40, TTL Quadrature, no switches, universal adapter style, black top plate/chassis – no seal, black ball