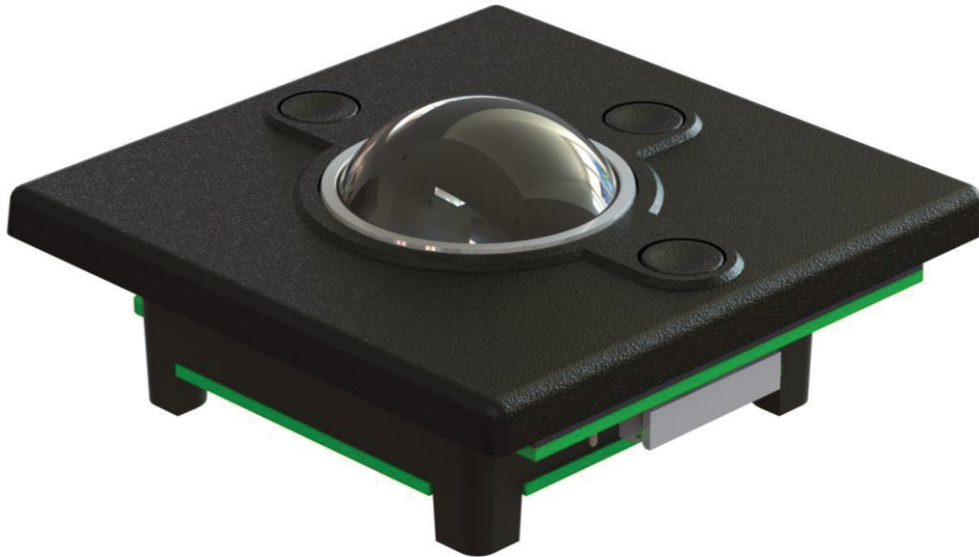

P38 Compact Series – Front Panel Mount Trackball, Sealed, USB & PS2 Output, 3 x Integrated Switches,



1. DESCRIPTION

The P38 Compact Series are high specification, professional trackballs for use in demanding environments. High-grade stainless steel shafts and bearings ensure a solid and precise pointer control while the patented floating seal technology limits ingress of aqueous solutions and particulates.

The trackball module includes left, middle, and right switch functionality as found in all conventional desktop trackballs/mice making the P38 Series a complete human interface solution for control of a cursor.

The unit has been designed to be front of panel mounted as part of OEM keyboards and consoles.

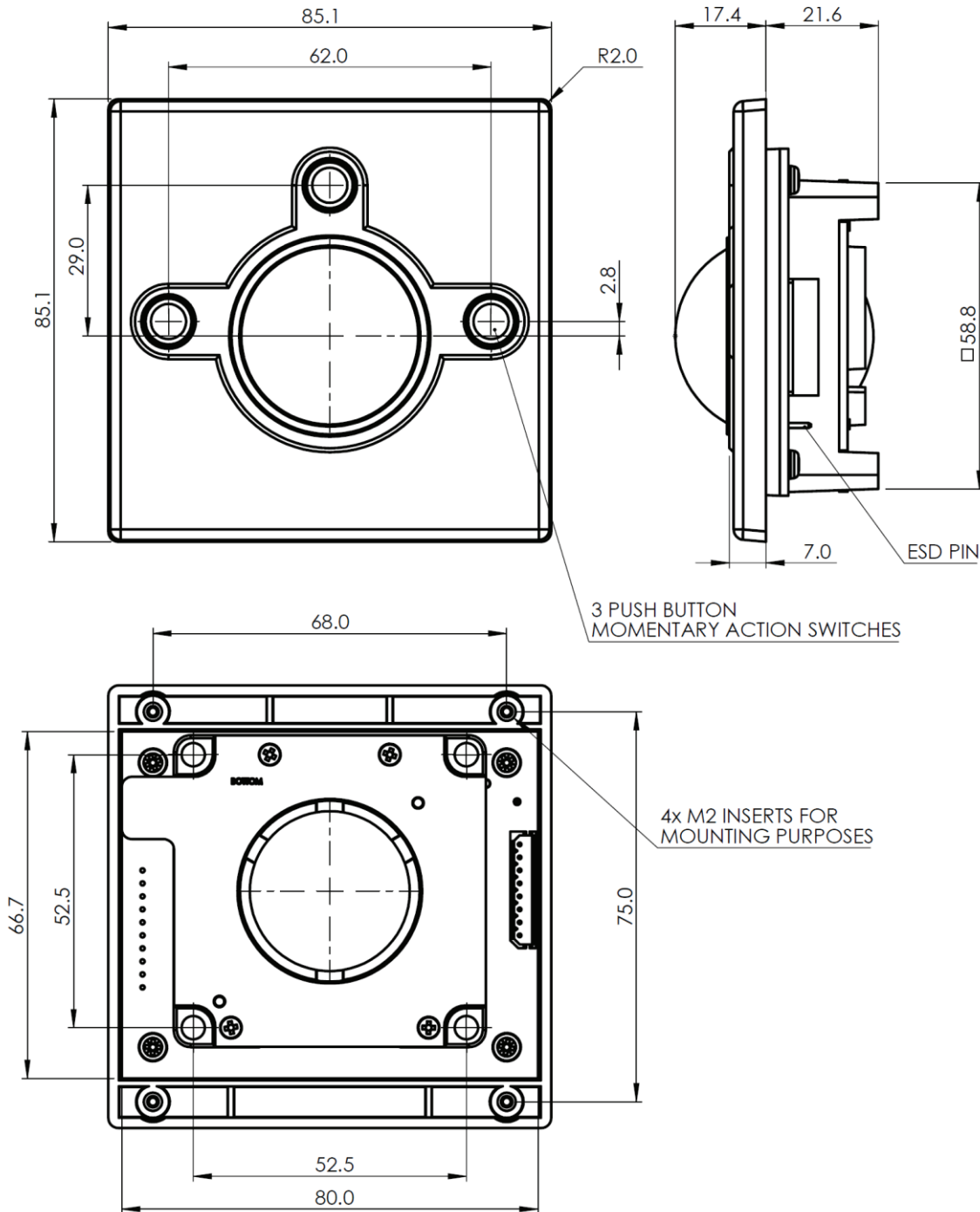
2. FEATURES

- Sealed to IP65 (BS EN 60529)
- Outputs: PS/2 & USB (auto-select)
- Integrated left, middle and right switch functionality
- Smooth operation in rugged environments
- Stainless steel shaft and bearings
- Custom connector options available
- Sealing gasket supplied

3. APPLICATIONS

- Control systems
- Medical systems
- Navigation systems
- Compact keyboards
- Industrial consoles
- OEM custom solutions available

8. OUTLINE DRAWING



Dimensional drawing specifies factory default orientation.

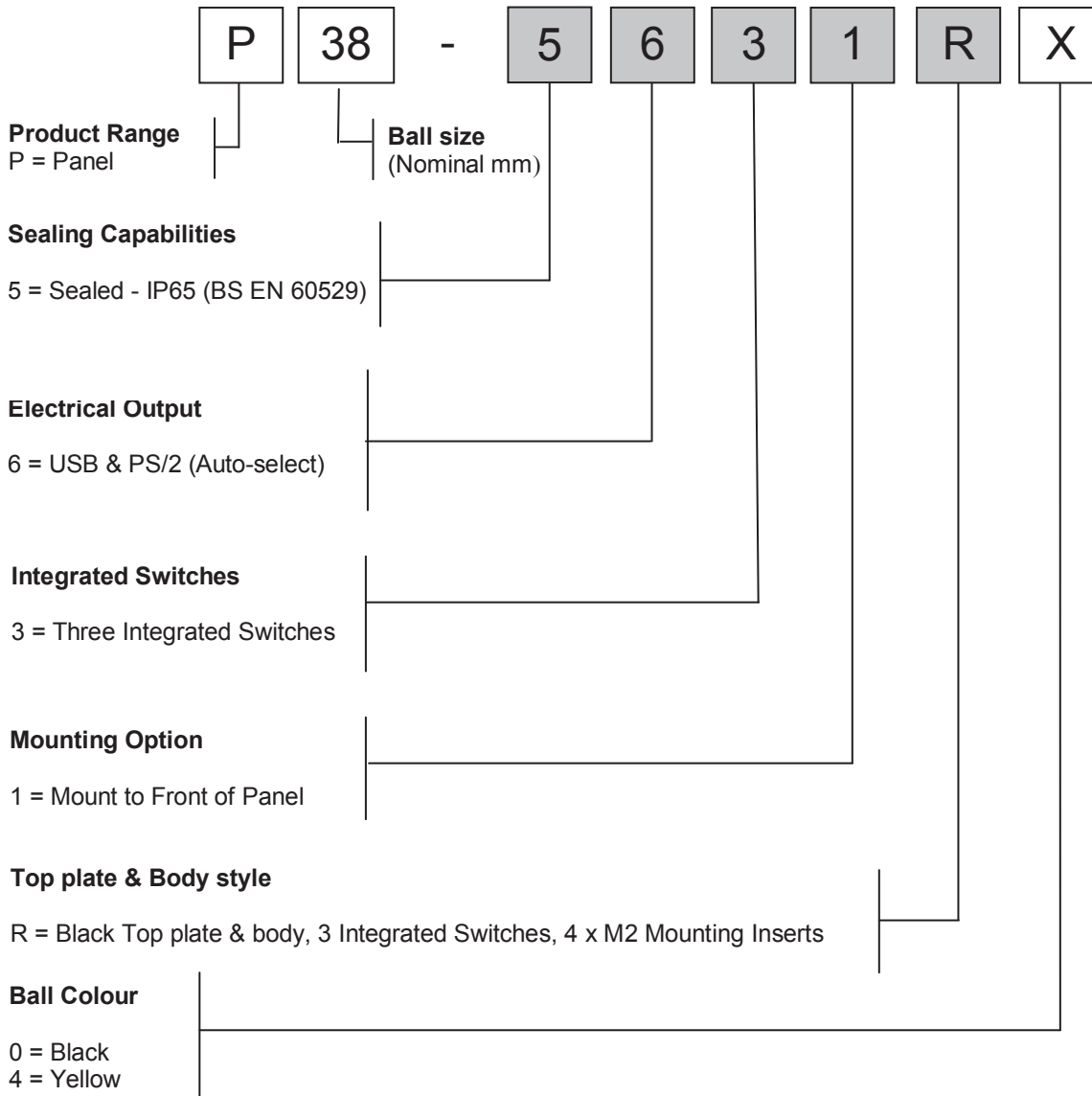
All dimensions are in mm unless otherwise stated.

Tolerances +/- 0.25mm unless otherwise stated

Please note that an IGES model is available on request. Please contact your local sales office for more information.

10. PRODUCT ORDERING CODE SYSTEM

Please construct your standard P38 Compact Series product ordering code by selecting the numbers and letters to suit your specification:



10.1 Ordering Example

P38-5631R0: Panel, 38mm Ball, Sealed - IP65, USB & PS/2, Three Integrated Switches, Mount to Front of Panel, Black Top plate & body, 3 Integrated Switches, 4 x M2 Mounting Inserts, Black Ball.