

L50 Series – 50mm Trackball, Panel Mount, Quadrature Output



1. DESCRIPTION

Utilizing the latest and most advanced infra-red optical tracking technology, the L50 Series Trackerball™ is an extremely high specification, contact-less device, ideal for the most demanding of cursor control applications. The Infra-red optical tracking engine provides accurate cursor motion at all speeds, combining the benefits of solid state sensing (no moving parts except the ball) with the aesthetics, functionality and performance associated with the Cursor Controls product range.

L50 Series trackballs are available with a variety of electrical outputs, tracking force options, and sealing capabilities up to IP68.

The solid state design allows the device to be subjected to extreme conditions and provides the user with the ability to wash down, decontaminate, and sterilise, making it the ideal trackball for a wide range of demanding applications and environments.

The unit has been designed to be back of panel mounted as part of OEM keyboards and consoles.

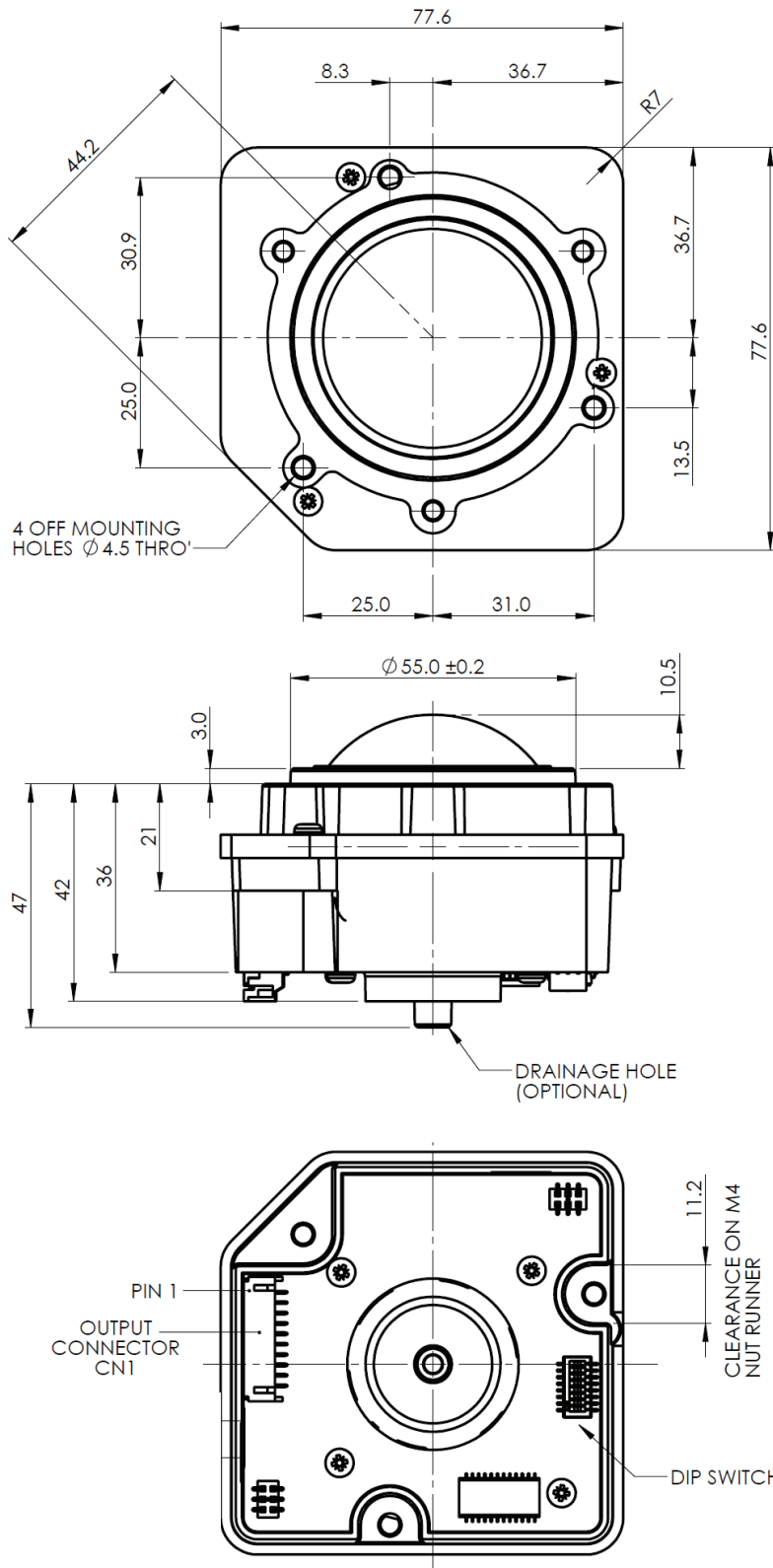
2. FEATURES

- Solid state sensing technology – Infra-red optical tracking engine
- Sealing up to IP68
- Output: TTL Quadrature
- Smooth operation in rugged environments
- Various top plate configurations providing sealing and tracking force options
- Custom connector options
- Self-draining and back flushing features (optional)
- Various ball colours

3. APPLICATIONS

- Medical systems
- Marine systems
- Custom keyboard applications
- Industrial consoles
- OEM custom solutions available

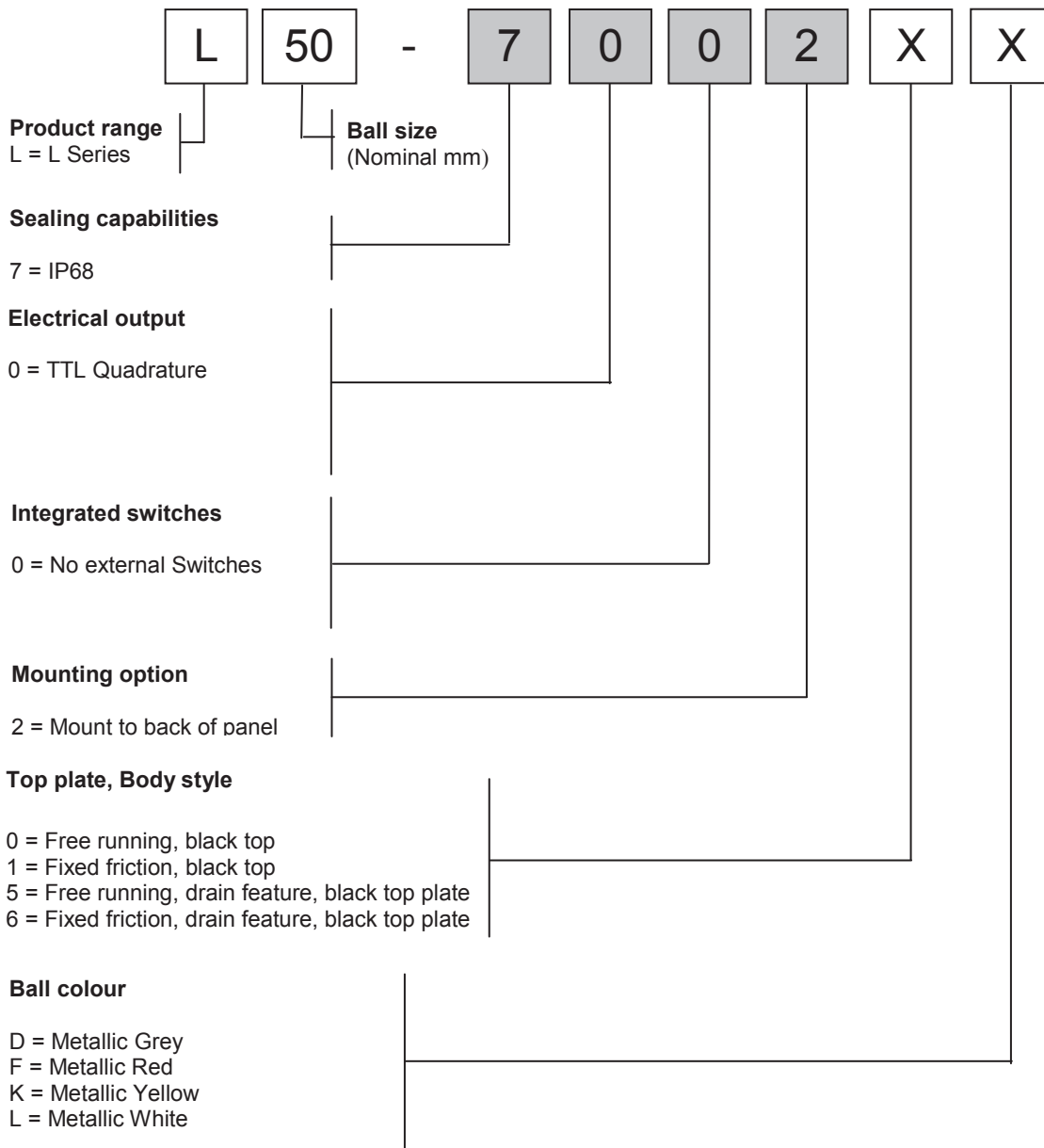
7. DIMENSION DRAWING



Dimensional drawing specifies factory default orientation.
 All dimensions are in mm unless otherwise stated.
 Tolerances +/- 0.2mm unless otherwise stated
 Please note that an IGES model is available on request. Please contact your local sales office for more information.

8. PRODUCT ORDERING CODE SYSTEM

Please construct your standard product ordering code by selecting the numbers and letters to suit your specification:



*Non standard colour – MOQ and lead-time may apply
For further options on ball colours please contact your local sales representative

8.1 Ordering Example

L50-70021D: L Series 50mm Trackball, IP68, TTL Quadrature, no switches, mount to back of panel, fixed friction seal (black top), Metallic grey ball.