

---

---

**P50 Series – 50mm Trackball, Panel Mount, Protocol Output, Removable Ball**

---



## 1. DESCRIPTION

The P50 Series mechanical trackballs are high specification modules available with a variety of electrical outputs. This popular unit provides a smooth running solution for general control applications where precise cursor control is required at all times.

Manufactured using high grade stainless steel and plastic components the P50 Trackball will provide many years of reliable cursor control for industrial, medical and keyboard applications.

The removable top plate and ball, allows the device to be easily maintained making it the ideal trackball for a wide range of demanding applications and environments.

The P50 Series trackballs have been designed to be back of panel mounted as part of OEM keyboards and consoles.

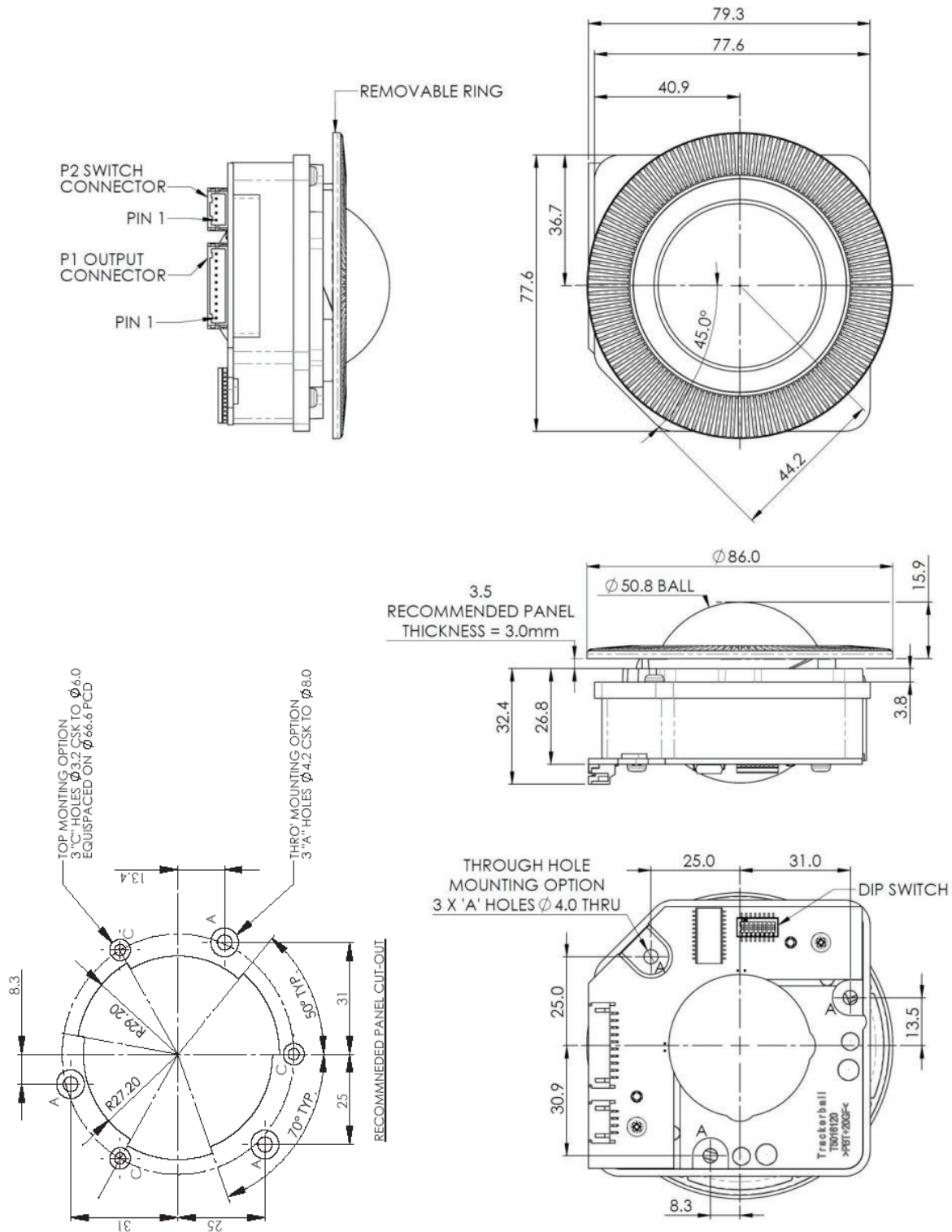
## 2. FEATURES

- Sealing up to IP51 (BS EN 60529)
- Outputs: PS/2 & USB (auto-select), or SUN systems
- Smooth operation in rugged environments
- Removable top plate and ball
- Variable friction control providing sealing and tracking force options
- High grade stainless steel shaft and bearings
- Custom connector options available
- Various ball colours
- Backlit ball options
- VX3™ – integrated zoom feature for scroll wheel functionality

## 3. APPLICATIONS

- Control systems
- Medical systems
- Marine systems
- Navigation systems
- Sound and lighting desks
- Industrial consoles
- OEM custom solutions available

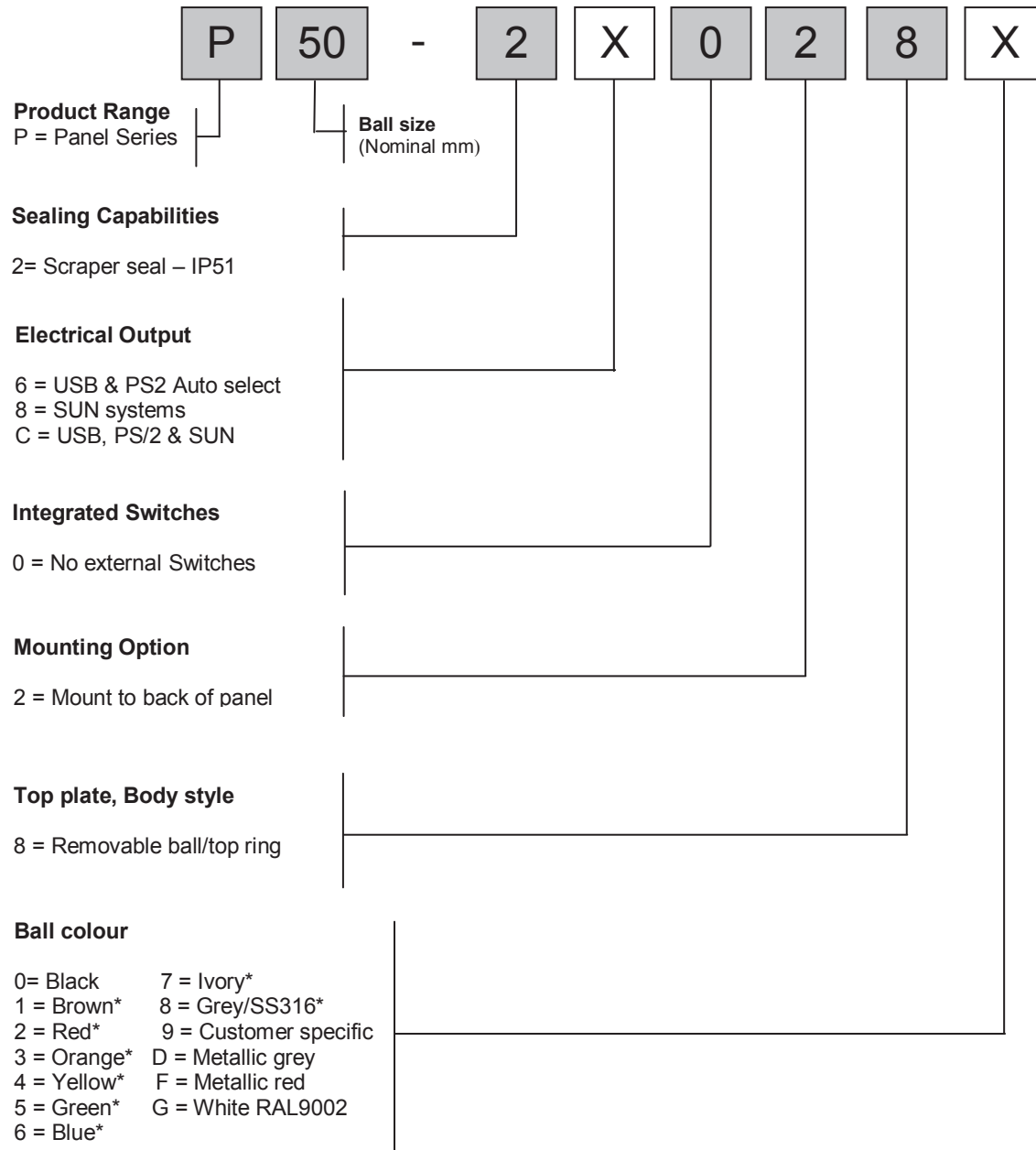
**7. DIMENSION DRAWING**



Dimensional drawing specifies factory default orientation.  
 All dimensions are in mm unless otherwise stated.  
 Tolerances +/- 0.25mm unless otherwise stated  
 Please note that an IGES model is available on request. Please contact your local sales office for more information.

### 8. PRODUCT ORDERING CODE SYSTEM

Please construct your standard product ordering code by selecting the numbers and letters to suit your specification:



\*Non standard colour – MOQ and lead-time may apply  
For further options on ball colours please contact your local sales representative

#### 8.1 Ordering Example

**P50-260280:** Panel 50mm, IP51, USB & PS/2, no switches, mount to back of panel, removable ball/top ring, black ball