

F50 Series – Rugged Mechanical Trackball, Quadrature Output

Figure 1: CCL F-Series Trackball

1 DESCRIPTION

The F50 Series trackball is a high specification human interface device designed to operate in extremely demanding environments where reliability and robustness are essential.

The unique aluminium construction provides excellent impact strength, electrical shielding, and environmental protection, making the trackball an all-round robust solution for the most demanding of military, marine and aerospace applications.

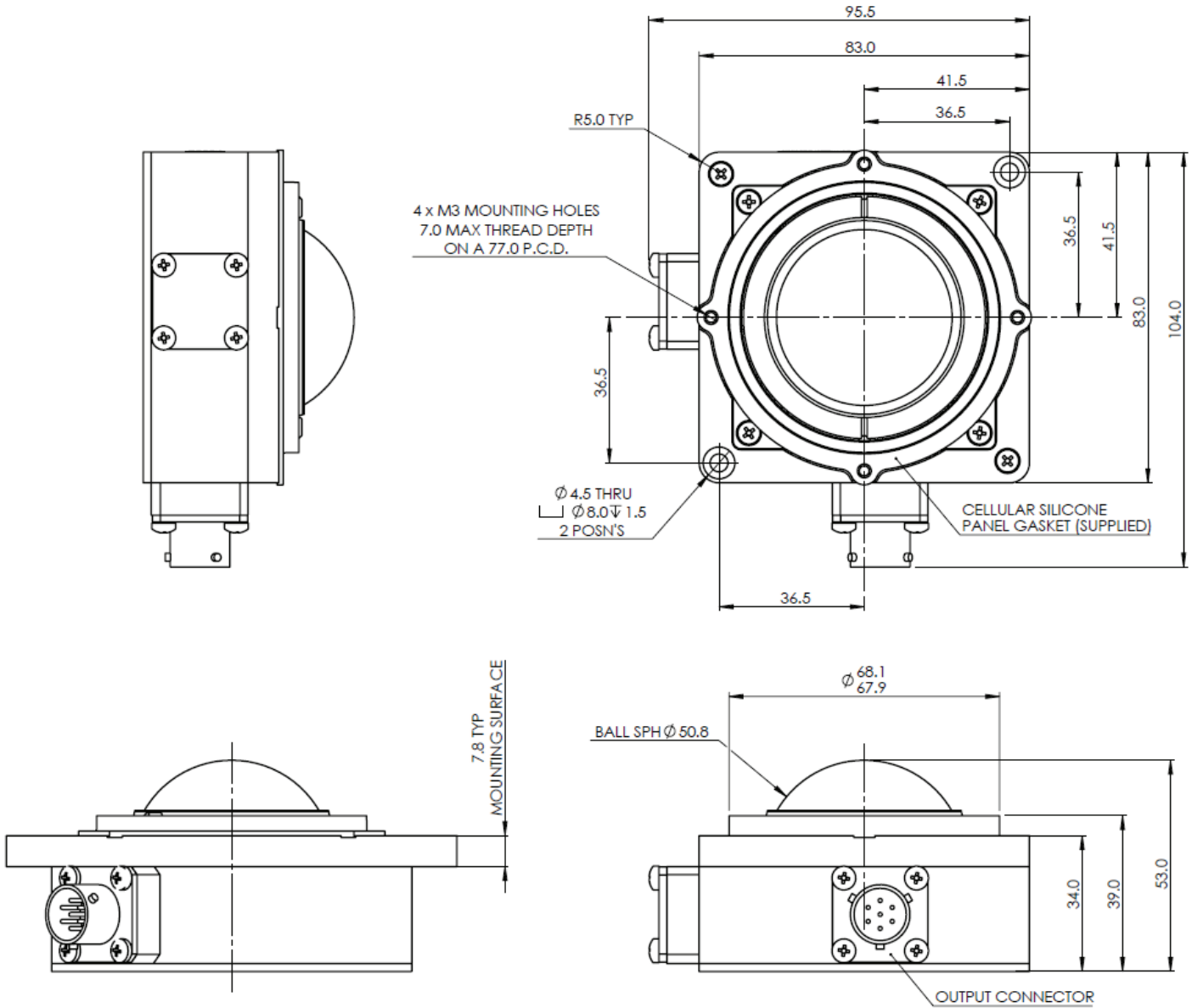
High-grade stainless steel shafts and bearings ensure a solid and precise pointer control.

The trackball also includes the Cursor Controls Ltd, patent protected, anti-vibration technology which ensures that only intended ball movements are transmitted to the host system (i.e. when the user's hand is in contact with the surface of the ball). This feature eliminates any unwanted cursor motion resulting from ball movement caused by external shocks or vibrations.

The F50 Series trackball can also be configured with various top plate styles providing options on ball tracking force and illumination for use in low light environments.

The trackball has been designed to be back of panel mounted as part of a rugged keyboard/console or alternatively can be supplied as part of a custom panel solution with integrated switches (please consult your local sales office for details on customised solutions).

6 OUTLINE DRAWING



Dimensional drawing specifies factory default orientation.

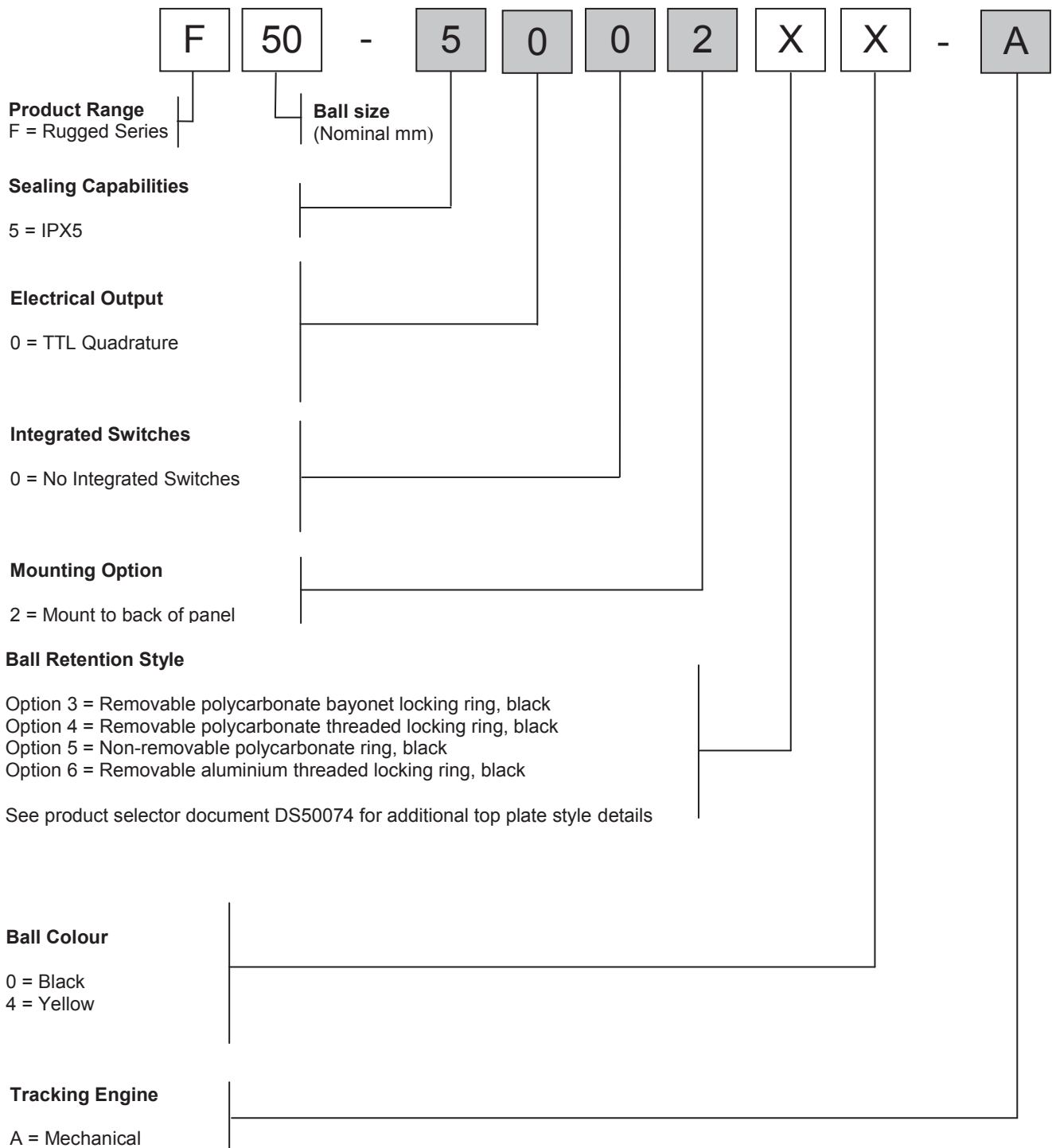
All dimensions are in mm unless otherwise stated.

Tolerances +/- 0.2mm unless otherwise stated

Please note that an IGES model is available on request. Please contact your local sales office for more information.

7 PRODUCT ORDERING CODE SYSTEM

Please construct your standard product ordering code by selecting the numbers and letters to suit your specification:



For further options on ball colours or top plate styles please contact your local sales representative

7.1 Ordering Example

F50-500230-A: F50 Rugged Series, IPX5, TTL Quadrature, no integrated switches, mount to back of panel, removable polycarbonate bayonet locking ring, and black ball.