

## F50 Series – Rugged Trackball Module, USB or PS/2, 3 Switches, HALO Light Feature

*N.B. Output cable not included*



Figure 1: CCL F-Series Trackball module

### 1 DESCRIPTION

The F50 Series trackball module is a high specification human interface device designed to operate in extremely demanding environments where reliability and robustness are essential.

The module is supplied with three integrated switches which provide the conventional left, middle and right button functionality found in commercial trackballs/mice. Alternatively, the number and position of the switches can be selected as part of a custom solution.

The unique aluminium construction provides excellent impact strength, electrical shielding, and environmental protection, making the trackball an all-round robust solution for the most demanding of military, marine and aerospace applications.

High-grade stainless steel shafts and bearings ensure a solid and precise pointer control.

The trackball incorporates an illuminated ring around the ball to enable the user to locate the trackball in low light environments. The HALO feature can also be used to compliment other backlit features incorporated within a user interface panel and is available in a wide range of colours.

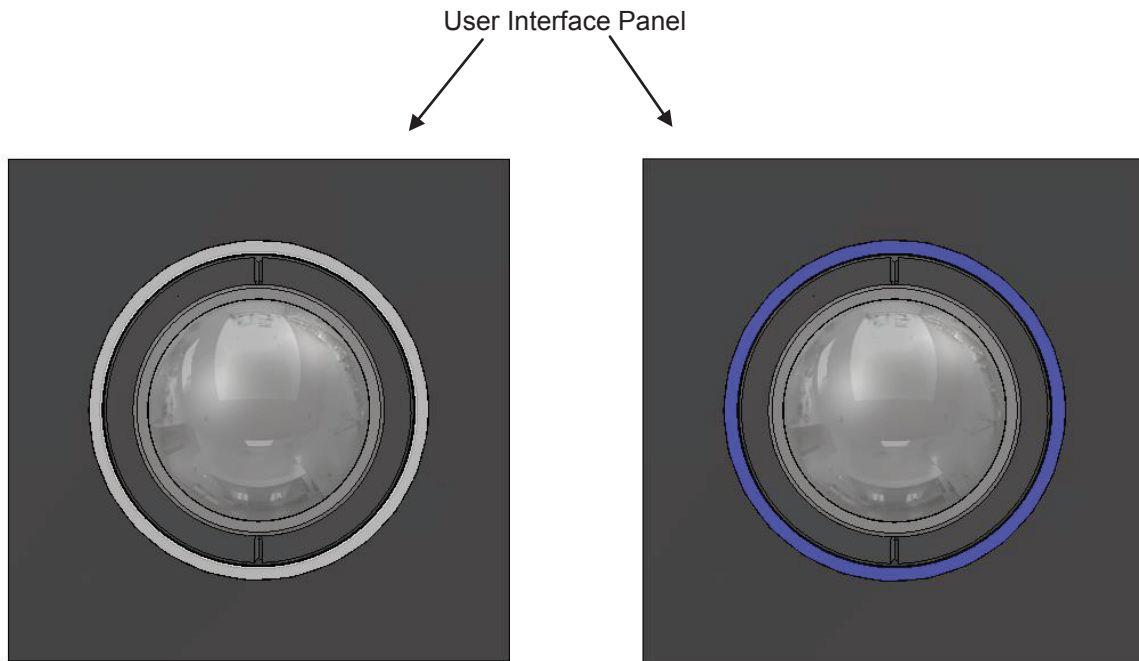
The trackball module also includes the Cursor Controls Ltd patent protected anti-vibration technology which ensures that only intended ball movements are transmitted to the host system (i.e. when the user's hand is in contact with the surface of the ball). This feature eliminates any unwanted cursor motion resulting from ball movement caused by external shocks or vibrations.

The F50 Series trackball module can also be configured with various top plate styles providing options on ball tracking force and illumination for use in low light environments.

The trackball module has been designed to be front of panel mounted as part of a rugged keyboard/console.

### 5.5 HALO Light Feature

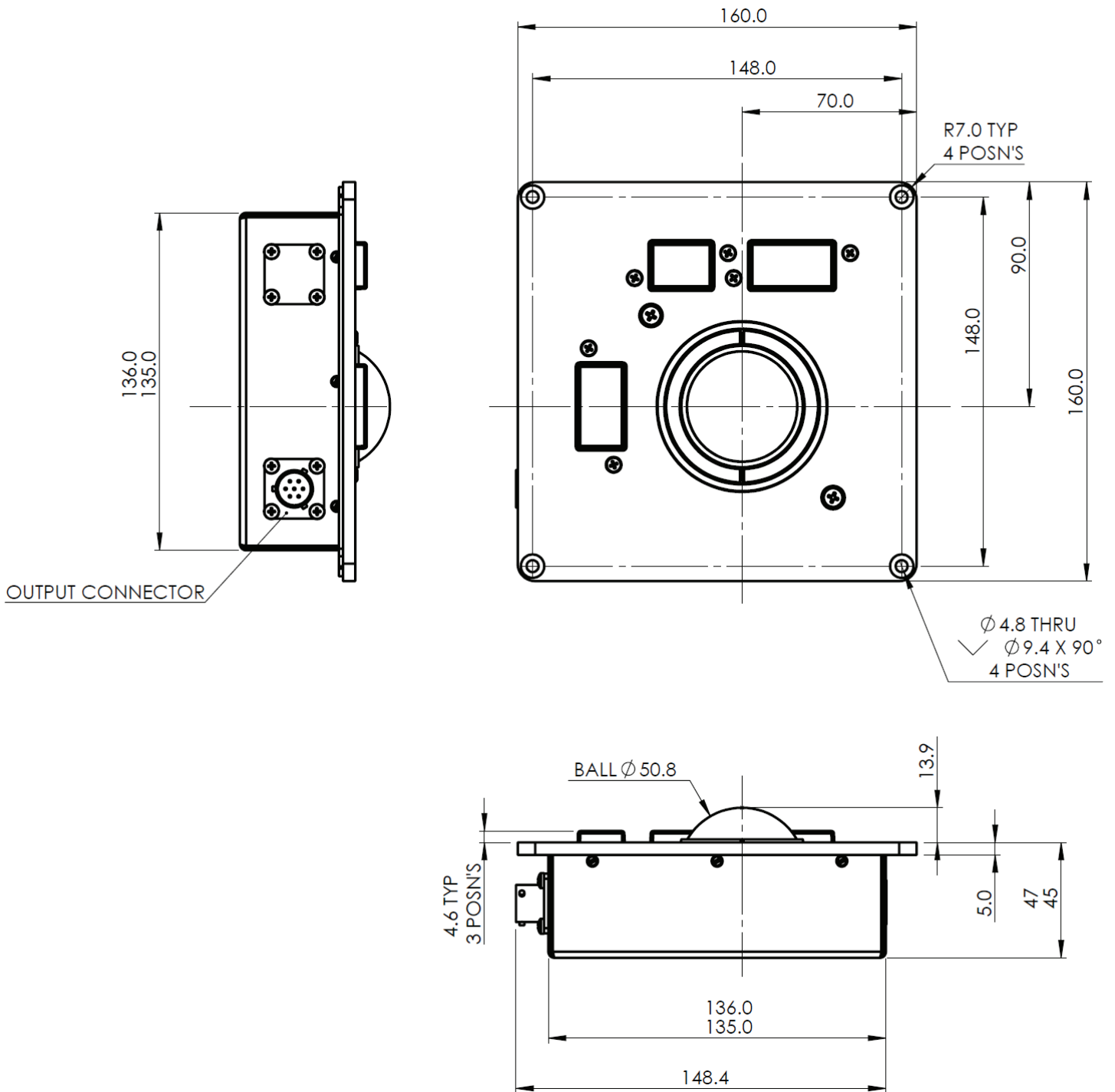
The F50 Series HALO trackball module provides all the features of the standard F50 trackball module with the inclusion of an illuminated ring surrounding the ball. The light ring provides an excellent means of locating the trackball in low level light environments and also serves as an aesthetic feature to compliment other illuminated components incorporated within a user interface panel. Figures 6 and 7 below show the HALO feature in its powered and non-powered state.



**Figure 6:** Trackball light ring – non-illuminated

**Figure 7:** Trackball light ring – Illuminated

**6 OUTLINE DRAWING**



Dimensional drawing specifies factory default orientation.

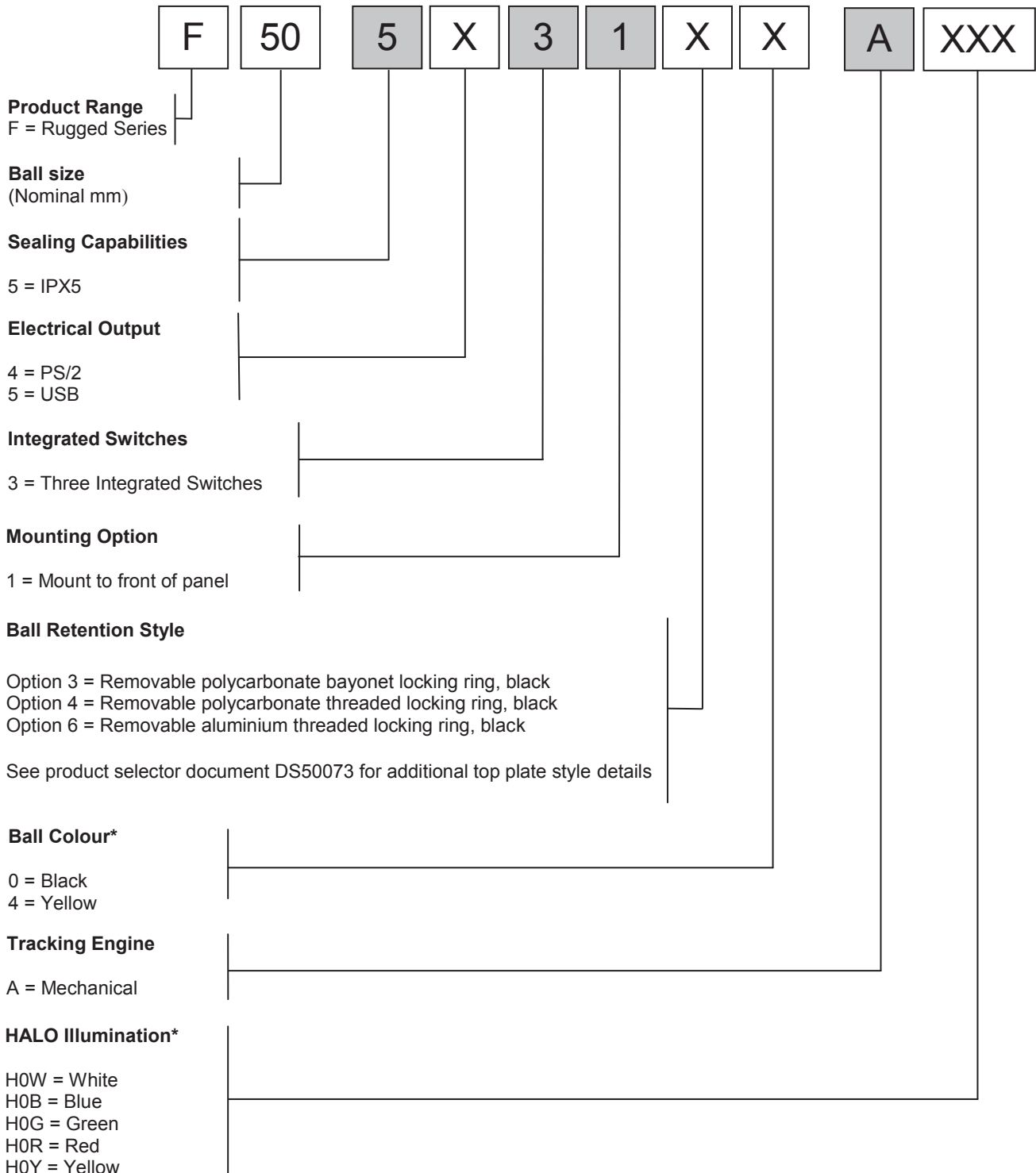
All dimensions are in mm unless otherwise stated.

Tolerances +/- 0.2mm unless otherwise stated

Please note that an IGES model is available on request. Please contact your local sales office for more information.

## 8 PRODUCT ORDERING CODE SYSTEM

Please construct your standard product ordering code by selecting the numbers and letters to suit your specification:



\* For further options please contact your local sales representative

### 8.1 ORDERING EXAMPLE

**F50-553130-AH0B:** F50 Rugged Series, IPX5, USB, 3 integrated switches, mount to front of panel, Removable polycarbonate bayonet locking ring, black ball, mechanical tracking engine, blue HALO illumination.