
P60 Series – Mechanical Trackball, Panel Mount, Protocol Output



1. DESCRIPTION

The P60 Series mechanical trackballs are rugged pointing devices ideal for use in the most demanding of applications. The device incorporates the same proven technology found in the already well-established Cursor Controls Ltd trackball range, providing the user with the same high specification trackball operation.

The high ball exposure provides the user with excellent control, while the high-grade stainless steel shafts and bearings ensure a solid and precise pointer control. The unit has been designed to be back of panel mounted as part of OEM keyboards and consoles.

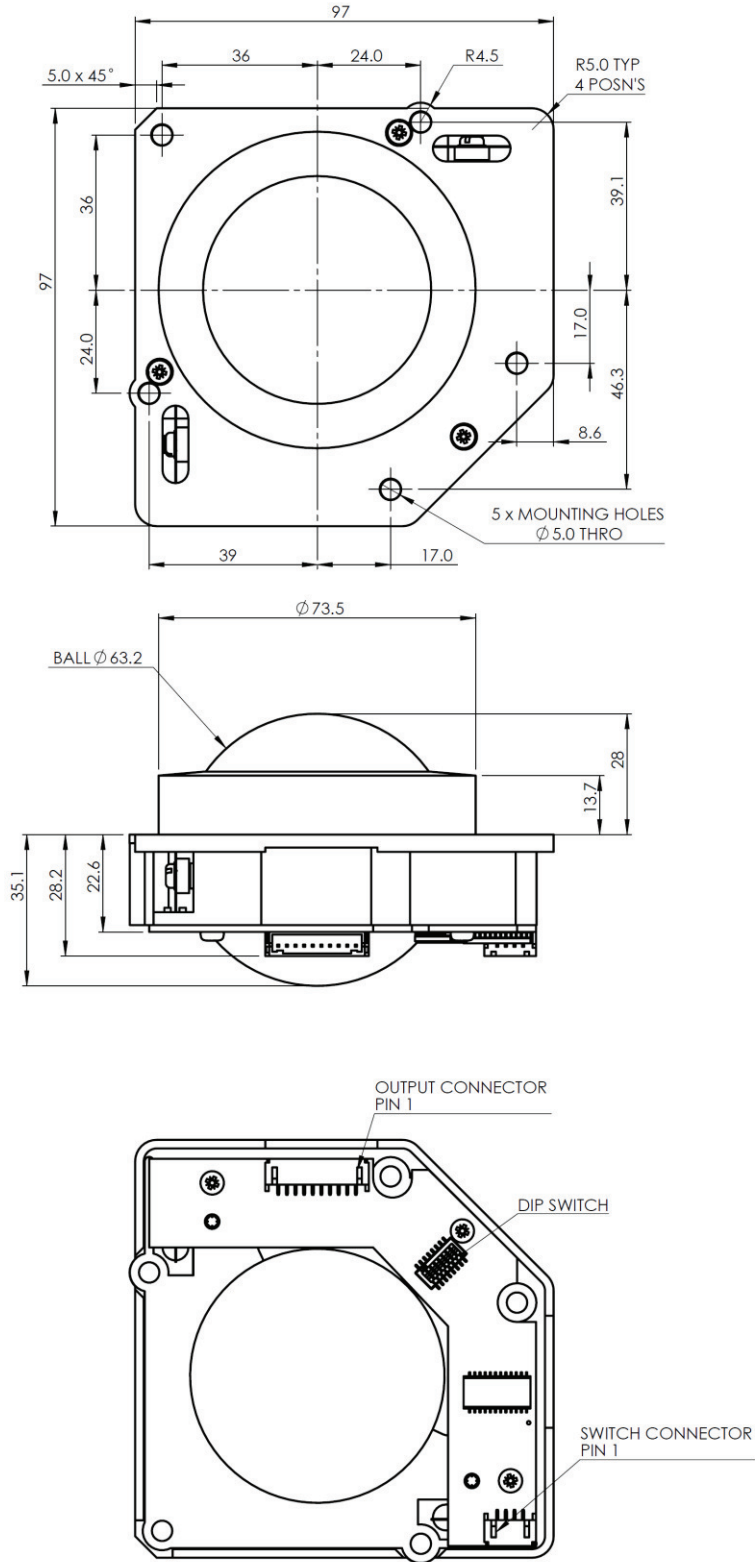
2. FEATURES

- Sealing options up to IP51 (BS EN 60529)
- Output: USB & PS/2 (auto-select) or SUN Systems
- High mass ball for precise control
- Smooth operation in rugged environments
- High grade stainless steel shafts and bearings
- Various top plate configurations providing sealing and tracking force options
- Custom connector options
- Custom ball colours

3. APPLICATIONS

- Control systems
- Navigation systems
- Sound and lighting desks
- Industrial consoles
- OEM custom solutions available

7. DIMENSION DRAWING



Dimensional drawing specifies factory default orientation.

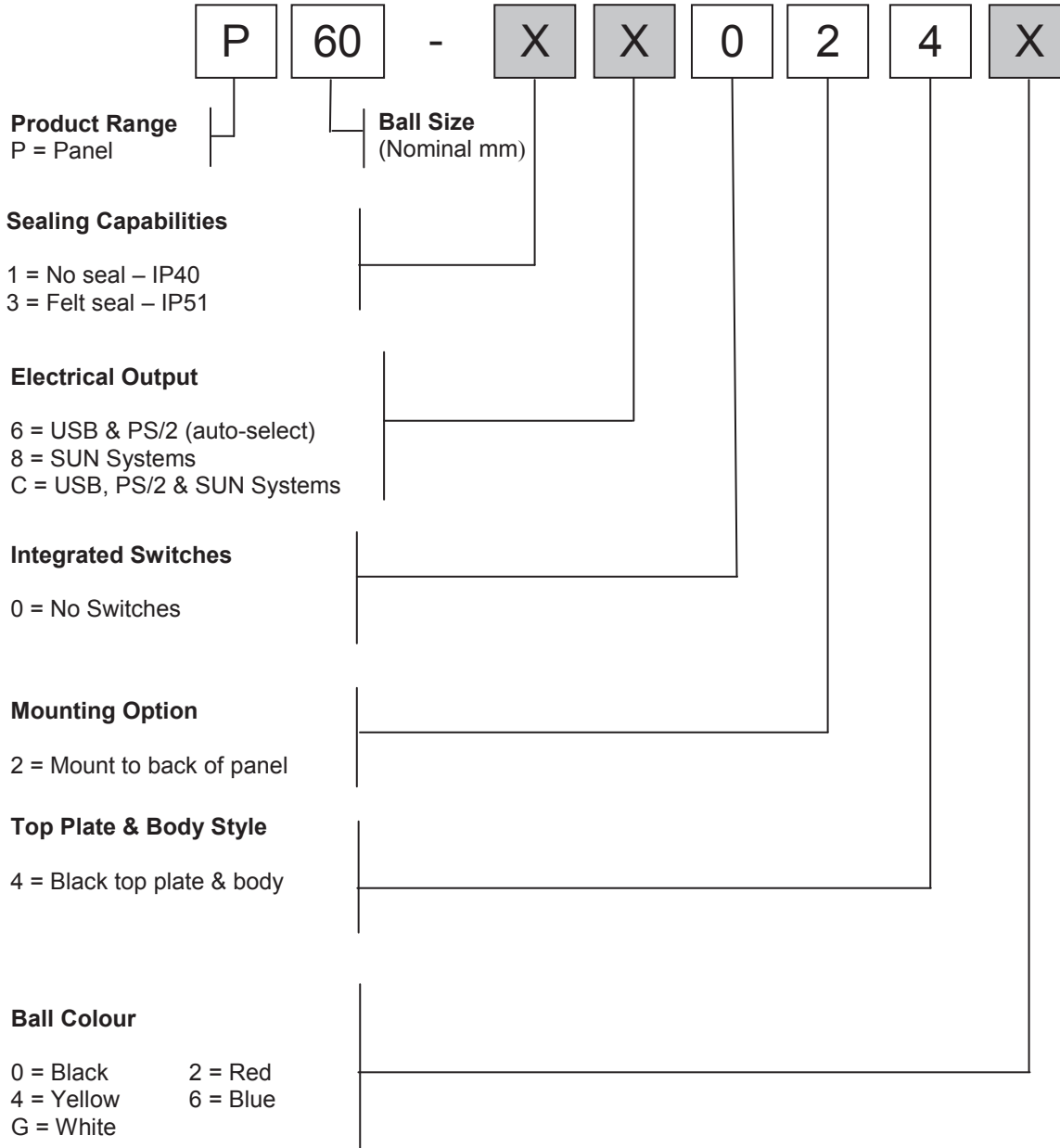
All dimensions are in mm unless otherwise stated.

Tolerances +/- 0.2mm unless otherwise stated

Please note that an IGES model is available on request. Please contact your local sales office for more information.

8. PRODUCT ORDERING CODE SYSTEM

Please construct your standard product ordering code by selecting the numbers and letters to suit your specification:



8.1 Ordering Example

P60-160240: P60 Series, no seal (IP40), USB & PS/2 output, no external switches, mount to back of panel, black top plate & body, black ball.