

## R60 Series – Mechanical Desktop Trackball, USB & PS/2 Output



### 1. DESCRIPTION

The R60 is a professional desk top Trackerball designed to provide comfort over prolonged periods of use. The device incorporates the same proven technology found in the already well-established Cursor Controls Ltd trackball range, providing the user with the same high specification trackball operation. The high ball exposure provides the user with excellent control while the stainless steel shafts, and precisely engineered steel bearings, support the 60mm diameter ball to provide smooth running and precise cursor control.

The trackball includes left, middle, and right switch functionality as found in all conventional desktop trackballs/mice, making the R60 Series module a complete human interface solution for control of a cursor.

In the standard configuration the R60 Series is supplied with an injection moulded plastic case, USB and PS/2 output, and three integrated switches. A variety of custom ball and case colours are also available - please contact your local sales office for further details regarding these custom options.

The unit has been designed to be a freestanding desktop device and optimises desk space when compared to a mouse.

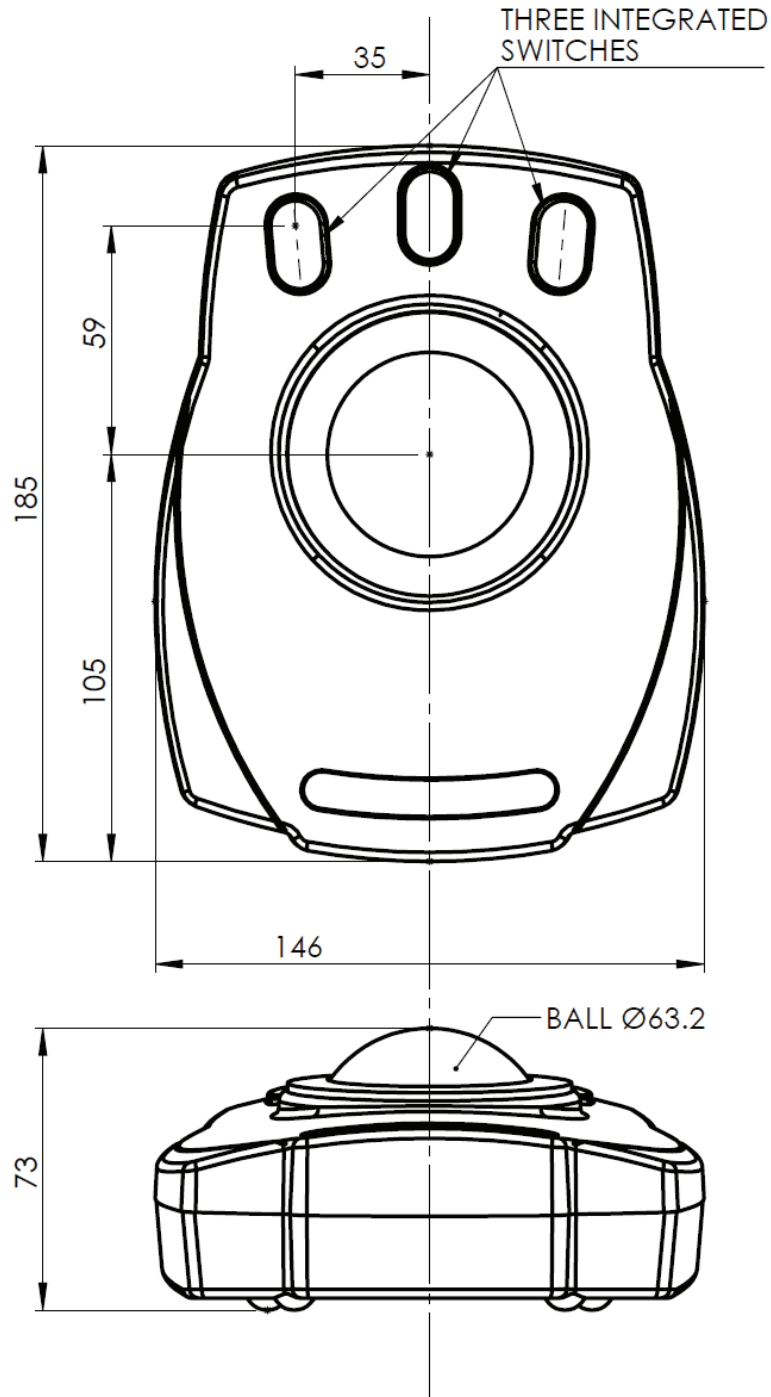
### 2. FEATURES

- Electrical Output: USB & PS/2 (auto-select)
- Large high mass ball providing precise cursor control and smooth operation in rugged environments
- High grade stainless steel shafts and bearings
- Custom ball colours available
- Custom case colours available
- VX3™ Feature – integrated zoom feature for scroll wheel functionality
- Smart switch – lock & drag feature
- Supplied with 2 metre USB “A” type cable

### 3. APPLICATIONS

- Control systems
- Navigation systems
- Sound and lighting desks
- Industrial consoles
- OEM custom solutions available

6. DIMENSION DRAWING



Dimensional drawing specifies factory default orientation.

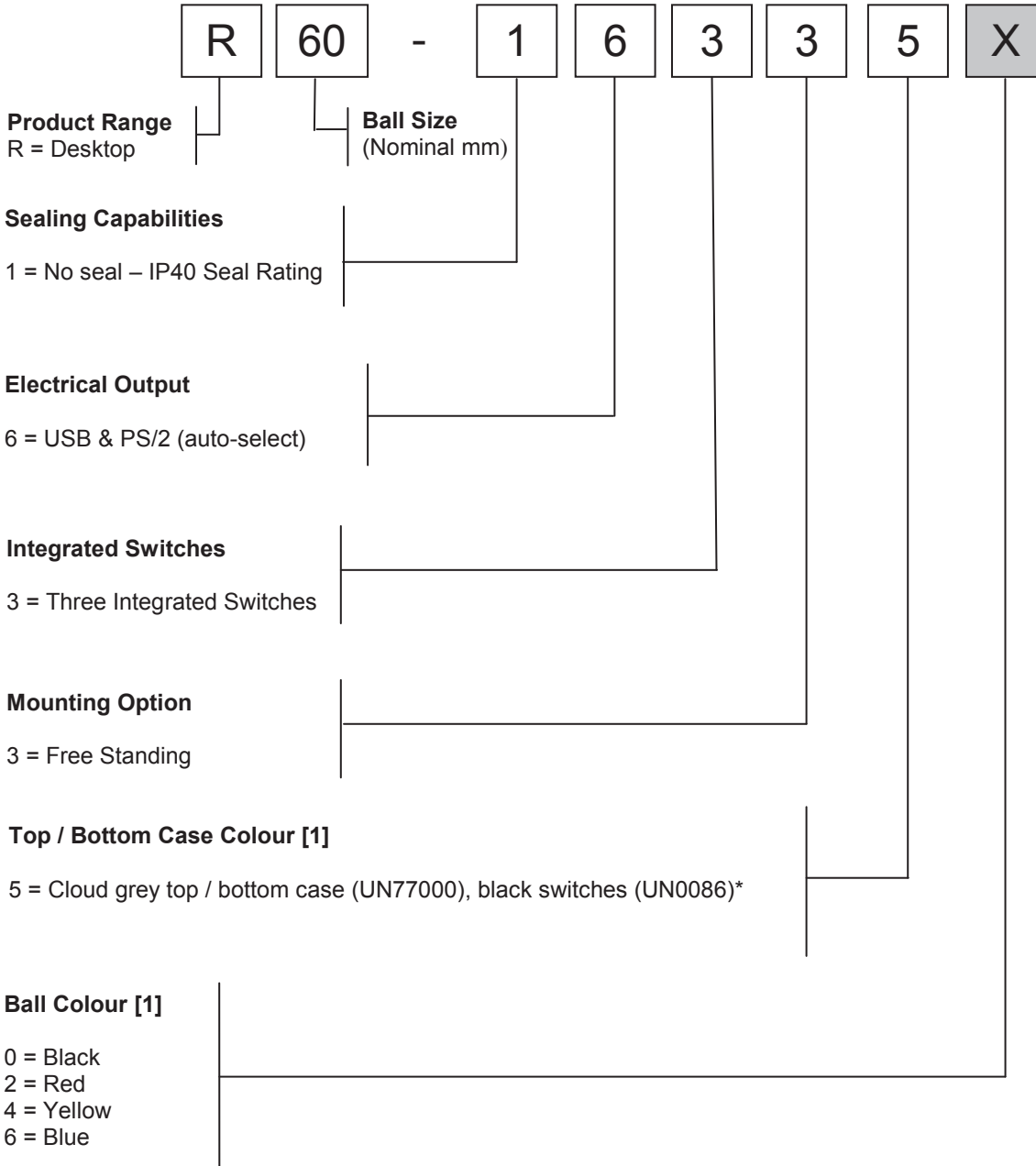
All dimensions are in mm unless otherwise stated.

Tolerances +/- 1.0mm unless otherwise stated

Please note that an IGES model is available on request. Please contact your local sales office for more information.

**7. PRODUCT ORDERING CODE SYSTEM**

Please construct your standard product ordering code by selecting the numbers and letters to suit your specification:



[1] Custom ball colours and case colours are available – please contact your local sales representative for more details.

**7.1 ORDERING EXAMPLE**

**R60-163350:** R60 Series, no seal (IP40), USB & PS/2 output, 3 integrated switches, free standing, cloud grey top / bottom case, black switches, black ball.